



HECTOR FINCH

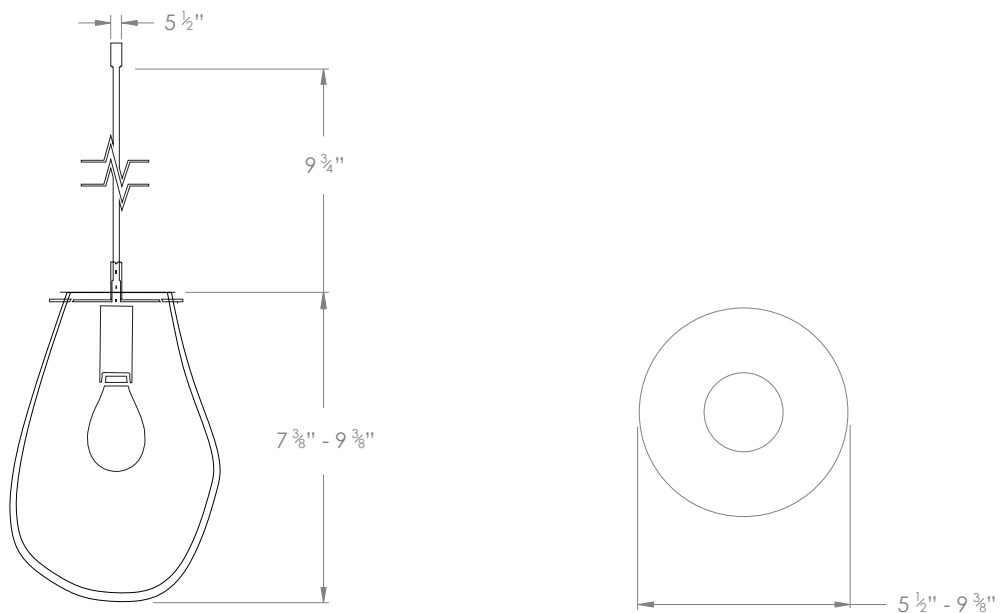
## SOAP PENDANT CLEAR SMALL



PRODUCT CODE PL371S

CATEGORY: CHANDELIERS & PENDANTS

### DIMENSIONS





PRODUCT CODE PL371S

CATEGORY: CHANDELIERS & PENDANTS

---

## SOAP PENDANT CLEAR SMALL

<b>LAMP TYPE</b>	<b>USA</b> 1 x 60W (Max) E26 General Service
<b>FINISH OPTIONS</b>	Stainless Steel (shown).
<b>SIZE &amp; SIMILAR OPTIONS</b>	Soap Pendant Silver (PL365) and Soap Pendant Blue (PL369).
<b>WEIGHT</b>	3lb 8oz
<b>CLEANING AND MAINTENANCE INSTRUCTIONS</b>	<p>Glass: Remove the glass where it is safe to do so. The glass then can be cleaned with a glass cleaner and a lint free cloth. Do not spray glass cleaner directly on the glass or fixture as it could affect the metal finish. Ensure the light is switched off and take care not to pull the flex or allow water to come into contact with the electrical components. Regular dusting with a feather duster will also help keep the glass clean.</p> <p>Metalwork: We recommend a light polish with a non-abrasive lint free cloth. Do not use any metal cleaning products on the fixture as it can remove the finish entirely. Unlacquered brass finish will patinate slowly over time and can be brightened to brass by the use of a brass cleaning agent.</p>