



HECTOR FINCH

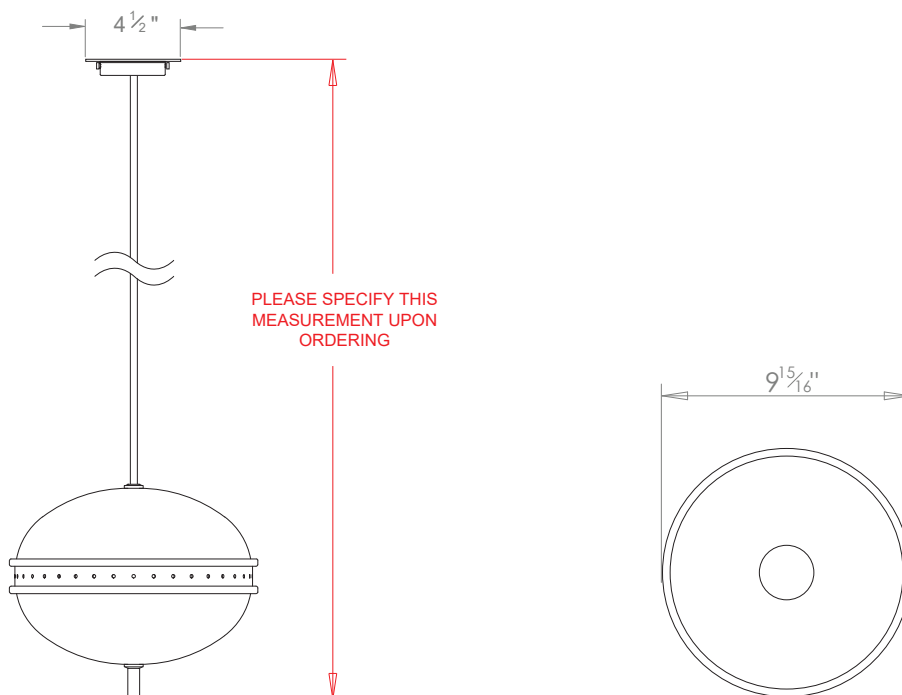
ATLANTA PENDANT ON A ROD



PRODUCT CODE PL406

CATEGORY: CHANDELIERS & PENDANTS

DIMENSIONS






PRODUCT CODE PL406

CATEGORY: CHANDELIERS & PENDANTS

ATLANTA PENDANT ON A ROD

LAMP TYPE	USA 2 x 40W (Max) E12 Golfball
FINISH OPTIONS	Brass Polished Lacquered, Brass Polished Unlacquered, Antique Brass, Bronze, Chrome, Nickel Polished (shown) and Nickel Matte.
SIZE & SIMILAR OPTIONS	Globe Prism Light (PL73), New York 2-Part Prism Light (PL32), Globe Prism Light On Rod (PL312), Atlanta Wall Light (WL400), New York Ceiling Light (CL06) and Fearors Globe (PL106).
WEIGHT	14lb 5oz
ACCREDITATION	This product is UL certificated. 
ADDITIONAL INFORMATION	Please specify total drop from the ceiling to the bottom of the globe. Minimum overall drop from the ceiling to the bottom of the globe 14".
CLEANING AND MAINTENANCE INSTRUCTIONS	<p>Glass: Remove the glass where it is safe to do so. The glass then can be cleaned with a glass cleaner and a lint free cloth. Do not spray glass cleaner directly on the glass or fixture as it could affect the metal finish. Ensure the light is switched off and take care not to pull the flex or allow water to come into contact with the electrical components. Regular dusting with a feather duster will also help keep the glass clean.</p> <p>Metalwork: We recommend a light polish with a non-abrasive lint free cloth. Do not use any metal cleaning products on the fixture as it can remove the finish entirely. Unlacquered brass finish will patinate slowly over time and can be brightened to brass by the use of a brass cleaning agent.</p>