

HF

HECTOR FINCH

LIGHTING

UMBRA PENDANT CLEAR, BLUE DISC

Inspired by the relationship between geometric objects and their shadows, the Umbra collection features an off-centre metal disc above a glass globe, which results in a reflection of the globe in the mirrored glass disc to which it is attached

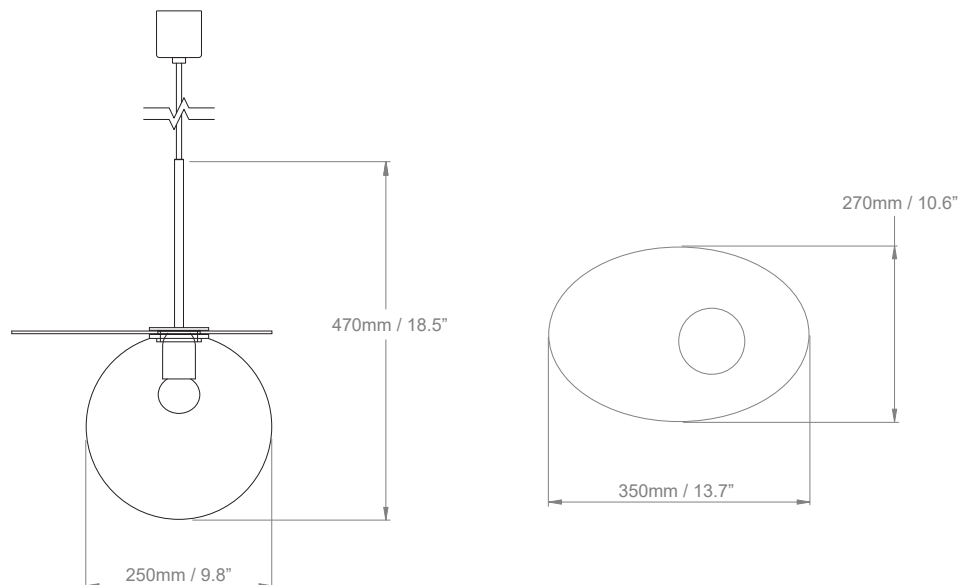
Designed by Studio deForm for
BOMMA




PRODUCT CODE PL407

CATEGORY: CHANDELIERS & PENDANTS

DIMENSIONS



UMBRA PENDANT CLEAR, BLUE DISC

LAMP TYPE INCANDESCENT	UK 1 x 40W Max E27	EU 1 x 40W Max E27	USA 1 x 40W Max E26
LAMP TYPE ENERGY SAVING	Suitable CFL or LED equivalent.		
APPLICATION	Suitable for indoor use.		
SIZE AND SIMILAR OPTIONS	Umbra Pendant Clear, Gold Disc (PL408), Umbra Pendant Blue, Blue Disc (PL409), Umbra Pendant Blue, Gold Disc (PL410), Umbra Pendant Pink, Blue Disc (PL411), Umbra Pendant Pink, Gold Disc (PL412), Umbra Pendant Light Grey, Blue Disc (PL413), Umbra Pendant Light Grey, Gold Disc (PL414), Umbra Pendant Smoke Grey, Blue Disc (PL415) and Umbra Pendant Smoke Grey, Gold Disc (PL416).		
CLEANING & MAINTENANCE	<p>Metalwork - use a soft, dry cloth</p> <p>Shade - wipe gently with a dry cloth or dust lightly with a feather duster. Repeat regularly to prevent build up of dust. Regular cleaning will prevent the possibility of dust becoming ingrained. DO NOT let water or moisture near the shade.</p>		
UNDERWRITERS LABORATORIES	 This product is UL certificated.		