



HECTOR FINCH

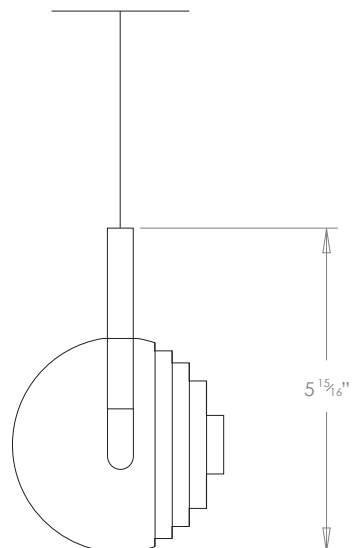
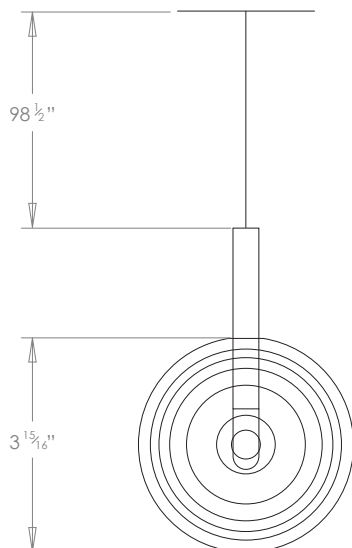
## DARK STAR PENDANT GOLD SMALL



PRODUCT CODE PL419S

CATEGORY: CHANDELIERS & PENDANTS

### DIMENSIONS





PRODUCT CODE PL419S

CATEGORY: CHANDELIERS & PENDANTS

---

## DARK STAR PENDANT GOLD SMALL

---

**LAMP TYPE**

**USA**

1 x 40W (Max) E27 LED

---

**SIZE & SIMILAR OPTIONS**

Bright Star Pendant, Small, Gold (PL417S), Bright Star Pendant, Large, Gold (PL417L), Bright Star Pendant, Large, Anthracite (PL418L), Bright Star Pendant, Small, Anthracite (PL418S), Dark Star Pendant, Large, Gold (PL419L), Dark Star Pendant, Large, Anthracite (PL420L) and Dark Star Pendant, Small, Anthracite (PL420S).

---

**WEIGHT**

1lb 9oz

---

**CLEANING AND  
MAINTENANCE  
INSTRUCTIONS**

Glass:

Remove the glass where it is safe to do so. The glass then can be cleaned with a glass cleaner and a lint free cloth. Do not spray glass cleaner directly on the glass or fixture as it could affect the metal finish. Ensure the light is switched off and take care not to pull the flex or allow water to come into contact with the electrical components. Regular dusting with a feather duster will also help keep the glass clean.

Metalwork:

We recommend a light polish with a non-abrasive lint free cloth. Do not use any metal cleaning products on the fixture as it can remove the finish entirely. Unlacquered brass finish will patinate slowly over time and can be brightened to brass by the use of a brass cleaning agent.