



HECTOR FINCH

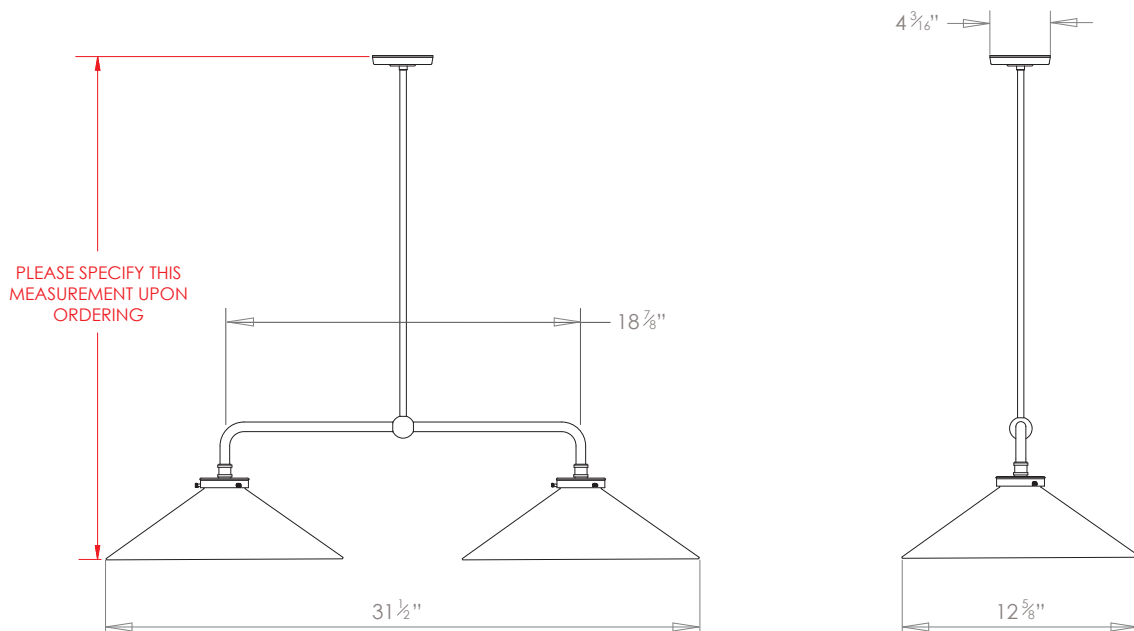
LUCIA DOUBLE PENDANT ON ROD MEDIUM



PRODUCT CODE PL436

CATEGORY: CHANDELIERS & PENDANTS

DIMENSIONS






HECTOR FINCH

PRODUCT CODE PL436

CATEGORY: CHANDELIERS & PENDANTS

LUCIA DOUBLE PENDANT ON ROD MEDIUM

LAMP TYPE	USA 2 x 60W (Max) E26 General Service
FINISH OPTIONS	Brass Polished Lacquered, Brass Polished Unlacquered (shown), Antique Brass, Bronze, Chrome, Nickel Polished and Nickel Matte.
COLOUR OPTIONS	 Acqua Arancio Bianco Naval Grigio Naturale Nero Rosso Taupe
SIZE & SIMILAR OPTIONS	Lucia Pendant (PL300), Lucia Wall Light (WL300), Lucia L Bracket Wall Light (WL301), Lucia Rise And Fall Pendant (PL321) and Lucia Double Rise and Fall (PL438).
WEIGHT	11lb 7oz
ADDITIONAL INFORMATION	Please specify total drop from ceiling to the bottom. Minimum overall drop from the ceiling to the bottom 22".
CLEANING AND MAINTENANCE INSTRUCTIONS	<p>Metalwork: We recommend a light polish with a non-abrasive lint free cloth. Do not use any metal cleaning products on the fixture as it can remove the finish entirely. Unlacquered brass finish will patinate slowly over time and can be brightened to brass by the use of a brass cleaning agent.</p> <p>Ceramic: The ceramic components can be cleaned with a light spray of water and a lint free cloth. Ensure the light is switched off and take care not to pull the flex or allow water to come into contact on the electrical components.</p>