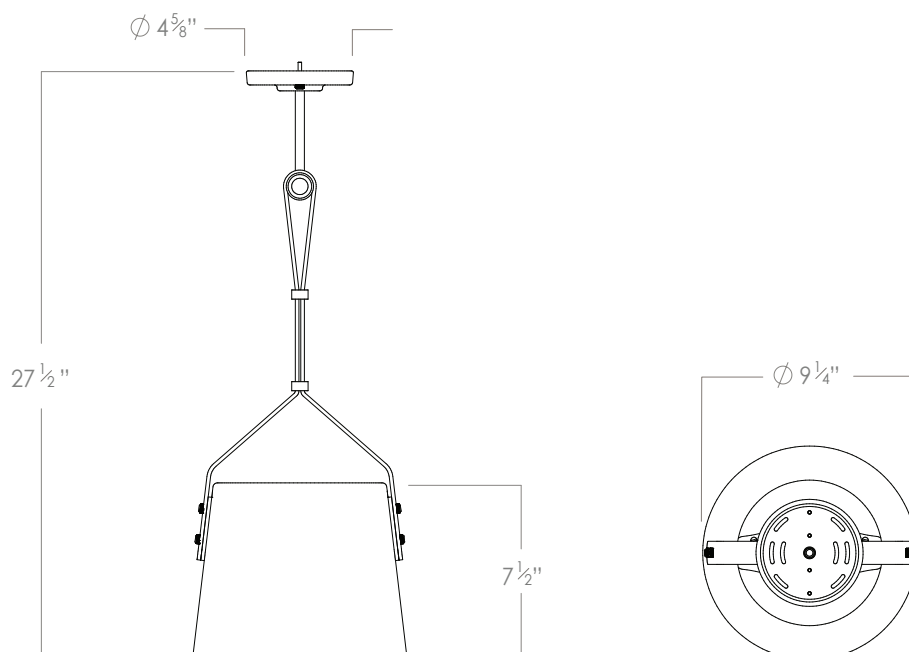


ELENA CERAMIC PENDANT MEDIUM



PL477

DIMENSIONS



ELENA CERAMIC PENDANT MEDIUM

DIMENSIONS

Width	9 1/4"
Height	27 1/2"

MOUNTING

Weight	6lbs 6oz
Ceiling canopy	4 5/8"

Our Pendants are designed to fit a US junction box with mounting holes 3 9/16" apart.

RATING

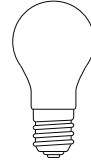
Voltage	110v - 120v / 60Hz
---------	--------------------

FINISH OPTIONS

Brass Polished Lacquered
Brass Polished Unlacquered
Antique Brass (shown)
Bronze
Chrome
Nickel Polished
Nickel Matte

LAMP TYPE

Lamp supplied: NO
Hector Finch recommends
1 x 60W (Max) E26 General service



CLEANING AND MAINTENANCE INSTRUCTIONS

Leather:

Clean leather with a damp cloth, condition when required with a specialised conditioner to prevent cracking, and keep it away from heat, sunlight, and moisture to extend its life.

Ceramic:

The ceramic components can be cleaned with a light spray of water and a lint free cloth. Ensure the light is switched off and take care not to pull the flex or allow water to come into contact on the electrical components.

Metalwork:

We recommend a light polish with a non-abrasive lint free cloth. Do not use any metal cleaning products on the fixture as it can remove the finish entirely. Unlacquered Brass finish will patinate slowly over time and can be brightened to brass by the use of a brass cleaning agent.