



HECTOR FINCH

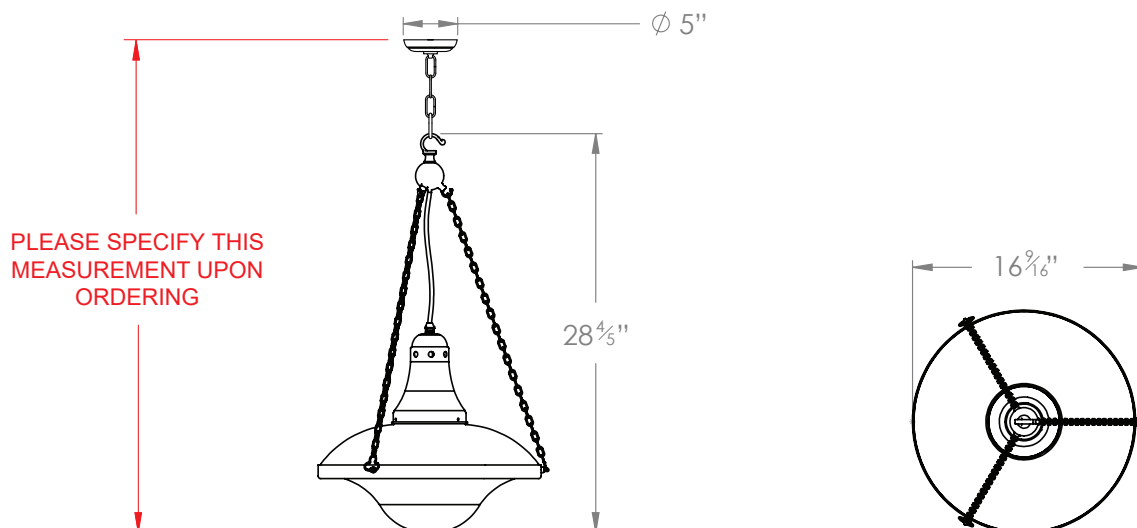
## ROSWELL FLYING SAUCER PRISM LIGHT LARGE



PRODUCT CODE PL65L

CATEGORY: CHANDELIERS & PENDANTS

### DIMENSIONS





PRODUCT CODE PL65L

CATEGORY: CHANDELIERS & PENDANTS

---

## ROSWELL FLYING SAUCER PRISM LIGHT LARGE

<b>LAMP TYPE</b>	<b>USA</b> 1 x 40w E26 General Service
<b>FINISH OPTIONS</b>	Brass Polished Lacquered, Brass Polished Unlacquered, Antique Brass, Bronze (shown), Chrome, Nickel Polished and Nickel Matte.
<b>SIZE &amp; SIMILAR OPTIONS</b>	Roswell Flying Saucer Small (PL65) and Roswell Flush Fitting (CL15).
<b>WEIGHT</b>	19lb 10oz
<b>ACCREDITATION</b>	This product is UL certificated. 
<b>ADDITIONAL INFORMATION</b>	Please specify total drop from the ceiling to the bottom of the glass. Minimum overall drop from the ceiling to the bottom of the glass 32".
<b>CLEANING AND MAINTENANCE INSTRUCTIONS</b>	<p>Glass: Remove the glass where it is safe to do so. The glass then can be cleaned with a glass cleaner and a lint free cloth. Do not spray glass cleaner directly on the glass or fixture as it could affect the metal finish. Ensure the light is switched off and take care not to pull the flex or allow water to come into contact with the electrical components. Regular dusting with a feather duster will also help keep the glass clean.</p> <p>Metalwork: We recommend a light polish with a non-abrasive lint free cloth. Do not use any metal cleaning products on the fixture as it can remove the finish entirely. Unlacquered brass finish will patinate slowly over time and can be brightened to brass by the use of a brass cleaning agent.</p>