

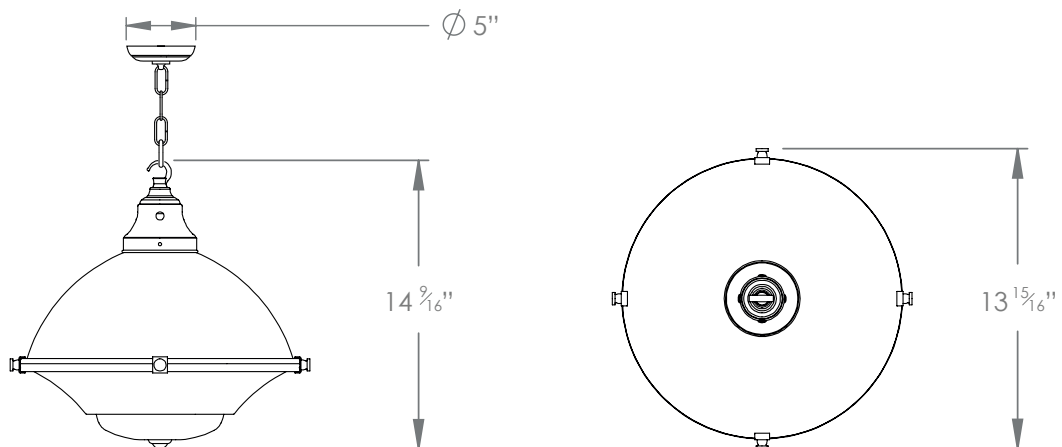
CHICAGO 3-PART PRISM LIGHT LARGE



PRODUCT CODE PL67L

CATEGORY: CHANDELIERS & PENDANTS

DIMENSIONS





PRODUCT CODE PL67L

CATEGORY: CHANDELIERS & PENDANTS

CHICAGO 3-PART PRISM LIGHT LARGE

LAMP TYPE	USA 1 x 60W (Max) E26 General Service
FINISH OPTIONS	Brass Polished Lacquered, Brass Polished Unlacquered, Antique Brass, Bronze (shown), Chrome, Nickel Polished and Nickel Matte.
SIZE & SIMILAR OPTIONS	Chicago 3 Part Prism Light Small (PL67S).
WEIGHT	15lb 16oz
ACCREDITATION	This product is UL certificated. 
ADDITIONAL INFORMATION	Supplied with 23" chain and ceiling plate. Minimum overall drop from the ceiling to the bottom 22".
CLEANING AND MAINTENANCE INSTRUCTIONS	<p>Glass: Remove the glass where it is safe to do so. The glass then can be cleaned with a glass cleaner and a lint free cloth. Do not spray glass cleaner directly on the glass or fixture as it could affect the metal finish. Ensure the light is switched off and take care not to pull the flex or allow water to come into contact with the electrical components. Regular dusting with a feather duster will also help keep the glass clean.</p> <p>Metalwork: We recommend a light polish with a non-abrasive lint free cloth. Do not use any metal cleaning products on the fixture as it can remove the finish entirely. Unlacquered brass finish will patinate slowly over time and can be brightened to brass by the use of a brass cleaning agent.</p>