



HECTOR FINCH

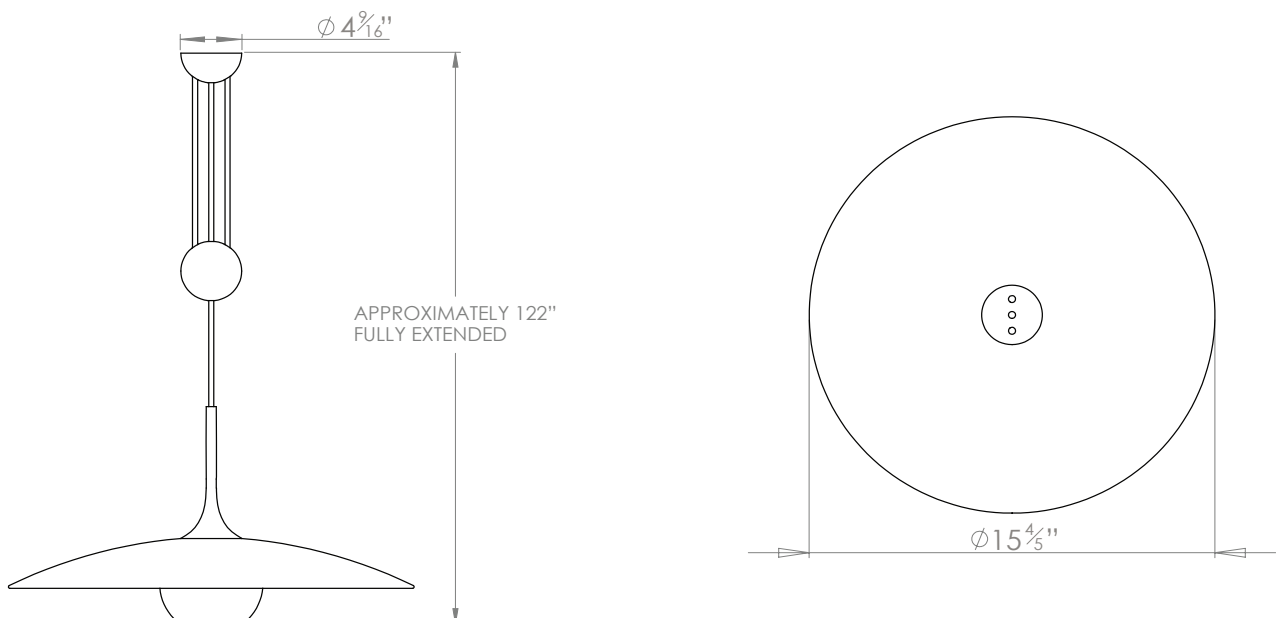
ONOS ADJUSTABLE PENDANT CENTRE PULL MEDIUM



PRODUCT CODE PL83M

CATEGORY: CHANDELIERS & PENDANTS

DIMENSIONS





HECTOR FINCH

PRODUCT CODE PL83M

CATEGORY: CHANDELIERS & PENDANTS

ONOS ADJUSTABLE PENDANT CENTRE PULL MEDIUM

LAMP TYPE	USA 1 x 60W (Max) E26 General Service
FINISH OPTIONS	Brass Polished Lacquered, Brass Brushed Lacquered, Chrome, Nickel Polished (shown) and Nickel Matte.
SIZE & SIMILAR OPTIONS	Onos Adjustable Pendant Side Pull (PL95M), Onos Adjustable Pendant Double Pull (PL93L) and Onos Pendant (PL92L).
WEIGHT	13lb 4oz
ADDITIONAL INFORMATION	4" Junction box: Special j-box adapter available on request. Additional USA 120 V conversion kit available on request. 120 V bulbs not included. Supplied with 118" textile cable as standard.
CLEANING AND MAINTENANCE INSTRUCTIONS	Metalwork: We recommend a light polish with a non-abrasive lint free cloth. Do not use any metal cleaning products on the fixture as it can remove the finish entirely. Unlacquered brass finish will patinate slowly over time and can be brightened to brass by the use of a brass cleaning agent.