



HECTOR FINCH

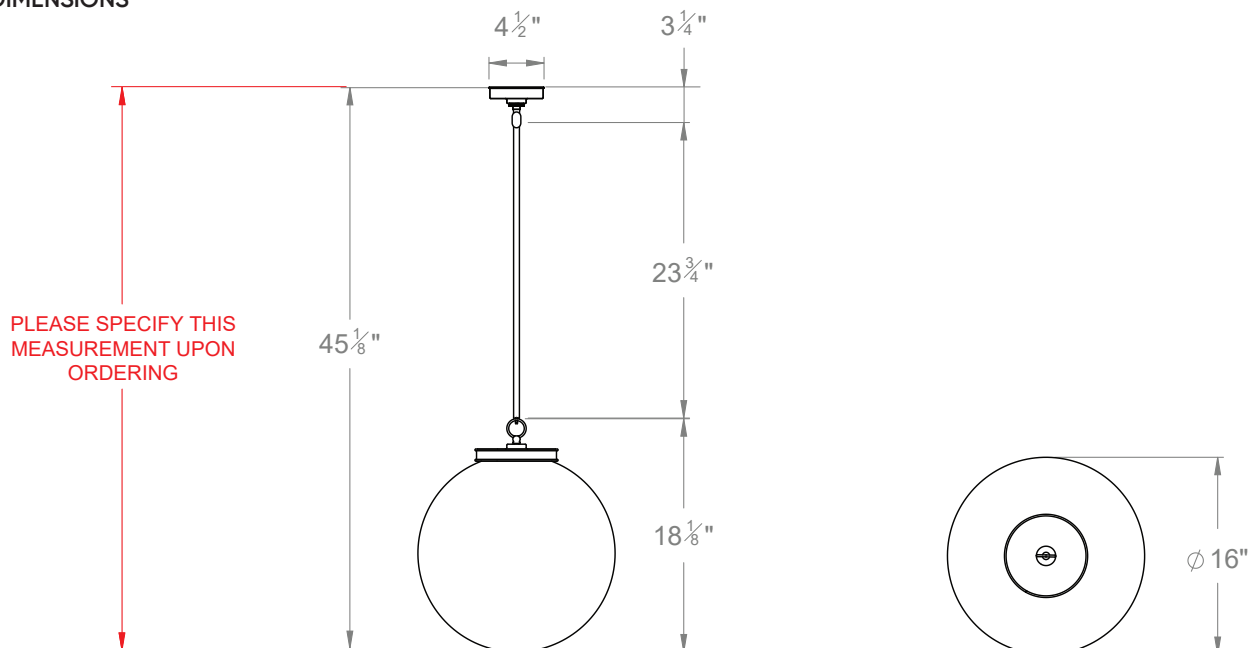
BUBBLES GLOBE LARGE



PRODUCT CODE PL87L

CATEGORY: CHANDELIERS & PENDANTS

DIMENSIONS






PRODUCT CODE PL87L

CATEGORY: CHANDELIERS & PENDANTS

BUBBLES GLOBE LARGE

| | |
|--|---|
| LAMP TYPE | USA 3 x 40W (Max) E12 Candelabra |
| FINISH OPTIONS | Brass Polished Lacquered, Brass Polished Unlacquered, Antique Brass (shown), Bronze, Chrome, Nickel Polished and Nickel Matte.. |
| SIZE & SIMILAR OPTIONS | Bubbles Globe Medium (PL87M), Hector Glass Globe Medium (PL85M3), Hector Glass Globe Opal Glass Medium (PL103M), Hector Glass Globe Large (PL85L), Hector Glass Globe Opal Glass Large (PL103L), and Hector Glass Globe Extra Large (PL85XL). |
| WEIGHT | 14lb 5oz |
| ACCREDITATION | This product is UL certificated.  |
| ADDITIONAL INFORMATION | Please specify total drop from the ceiling to the bottom of the globe. Minimum overall drop from the ceiling to the bottom of the globe 21". |
| CLEANING AND MAINTENANCE INSTRUCTIONS | <p>Glass: Remove the glass where it is safe to do so. The glass then can be cleaned with a glass cleaner and a lint free cloth. Do not spray glass cleaner directly on the glass or fixture as it could affect the metal finish. Ensure the light is switched off and take care not to pull the flex or allow water to come into contact with the electrical components. Regular dusting with a feather duster will also help keep the glass clean.</p> <p>Metalwork: We recommend a light polish with a non-abrasive lint free cloth. Do not use any metal cleaning products on the fixture as it can remove the finish entirely. Unlacquered brass finish will patinate slowly over time and can be brightened to brass by the use of a brass cleaning agent.</p> |