



HECTOR FINCH

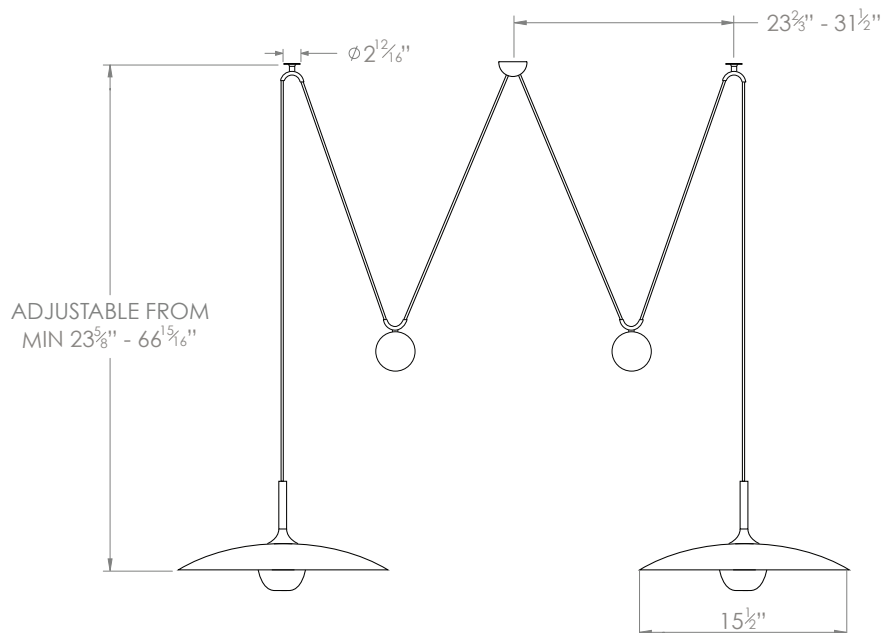
## ONOS ADJUSTABLE PENDANT LAMP DOUBLE PULL MEDIUM



PRODUCT CODE PL93M

CATEGORY: CHANDELIERS & PENDANTS

### DIMENSIONS





HECTOR FINCH

PRODUCT CODE PL93M

CATEGORY: CHANDELIERS & PENDANTS

---

## ONOS ADJUSTABLE PENDANT LAMP DOUBLE PULL MEDIUM

---

<b>LAMP TYPE</b>	<b>USA</b> 2 x 60W (max) E26 General Service
<b>FINISH OPTIONS</b>	Brass Polished Lacquered, Brass Brushed Lacquered, Chrome, Nickel Polished (shown) and Nickel Matte.
<b>SIZE &amp; SIMILAR OPTIONS</b>	Onos Pendant Lamp (PL92), Onos Adjustable Pendant Centre Pull (PL83) and Onos Adjustable Pendant Side Pull (PL95).
<b>WEIGHT</b>	24lb 4oz
<b>ADDITIONAL INFORMATION</b>	Special j-box adapter available on request. Additional USA 120 V conversion kit available on request. 120 V bulbs not included. Supplied with 118" textile cable as standard.
<b>CLEANING AND MAINTENANCE INSTRUCTIONS</b>	Metalwork: We recommend a light polish with a non-abrasive lint free cloth. Do not use any metal cleaning products on the fixture as it can remove the finish entirely. Unlacquered brass finish will patinate slowly over time and can be brightened to brass by the use of a brass cleaning agent.