

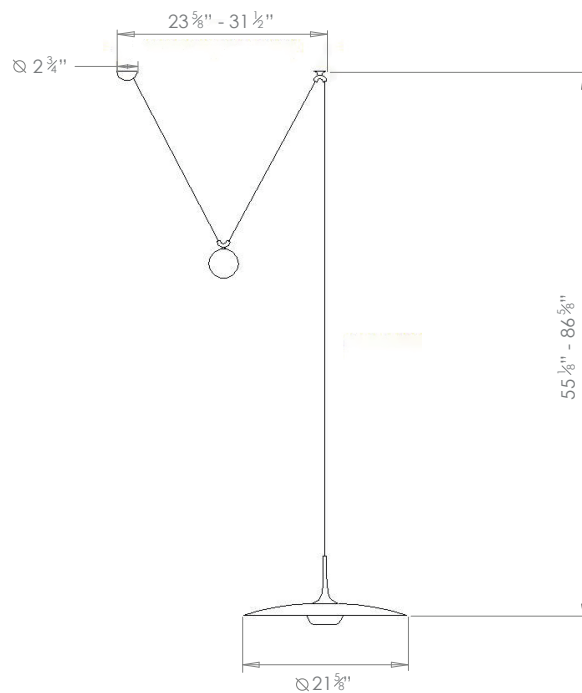
ONOS ADJUSTABLE PENDANT SIDE PULL LARGE



PRODUCT CODE PL95L

CATEGORY: CHANDELIERS & PENDANTS

DIMENSIONS





HECTOR FINCH

PRODUCT CODE PL95L

CATEGORY: CHANDELIERS & PENDANTS

ONOS ADJUSTABLE PENDANT SIDE PULL LARGE

LAMP TYPE	USA 1 x 60W (Max) E26 General Service
FINISH OPTIONS	Brass Polished Lacquered (shown), Brass Brushed Lacquered, Chrome, Nickel Polished and Nickel Matte.
SIZE & SIMILAR OPTIONS	Onos Pendant Lamp (PL92), Onos Adjustable Pendant (PL83) and Onos Adjustable Pendant Double Pull (PL93).
WEIGHT	13lb 14oz
ADDITIONAL INFORMATION	120 V bulbs not included. Supplied with 118" textile cable as standard.
CLEANING AND MAINTENANCE INSTRUCTIONS	Metalwork: We recommend a light polish with a non-abrasive lint free cloth. Do not use any metal cleaning products on the fixture as it can remove the finish entirely. Unlacquered brass finish will patinate slowly over time and can be brightened to brass by the use of a brass cleaning agent.