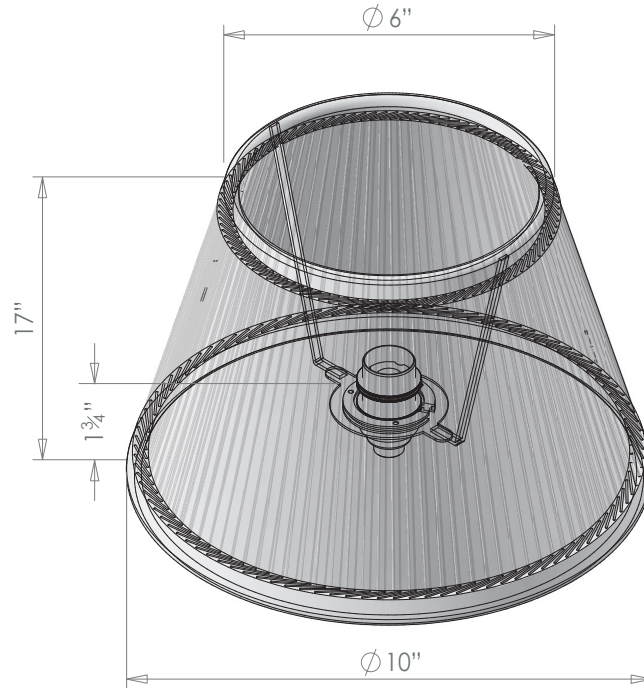




HECTOR FINCH

SHADE 34



PRODUCT CODE SHD34

CATEGORY: LAMPSHADES

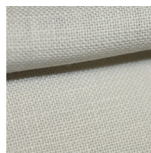
FITTING TYPE

Edison Screw Gimble

SUITABLE FOR

Lizzie Floor Lamp (FL19)

LINEN OPTIONS



Oyster



Naturale