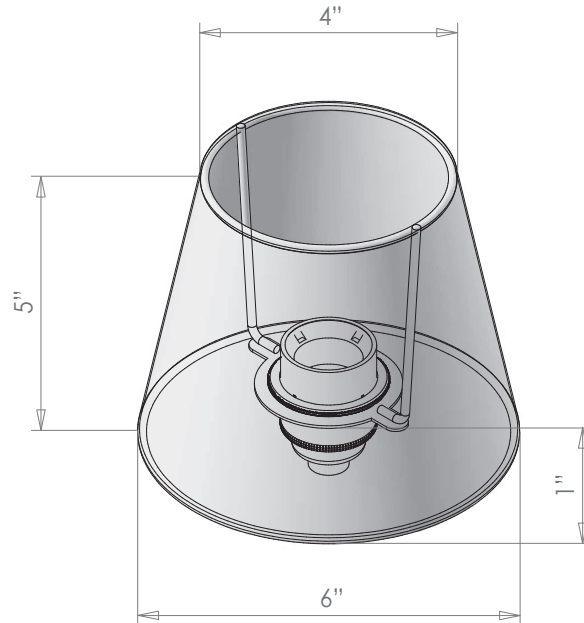




HECTOR FINCH

SHADE 8



PRODUCT CODE SHD8

CATEGORY: LAMPSHADES

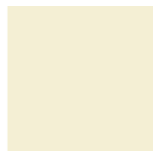
FITTING TYPE

Edison Screw Gimble

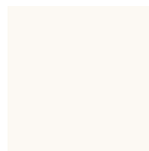
SUITABLE FOR

Hector Swing Arm Wall Light, Round Backplate (WL63), Hector Swing Arm Wall Light with Rectangular Back Plate (WL188), Hector Swing Arm Vertically Adjustable (WL182), Hector Single Straight Arm Wall Light (WL26), Hector Single Straight Arm Wall Light Large (WL26L), Hector Twin Straight Arm Wall Light (WL25), Hector Twin Straight Arm Wall Light Large (WL25L) and Victoria Swing Arm Wall Light (WL467).

CARD OPTIONS

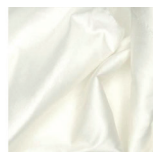


China White

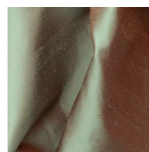


Snow White

SILK OPTIONS



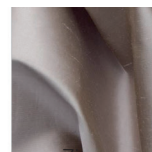
Porcelain



Thyme



Almond



Zinc



Slate

LINEN OPTIONS



Oyster



Naturale