

HF

HECTOR FINCH

LIGHTING

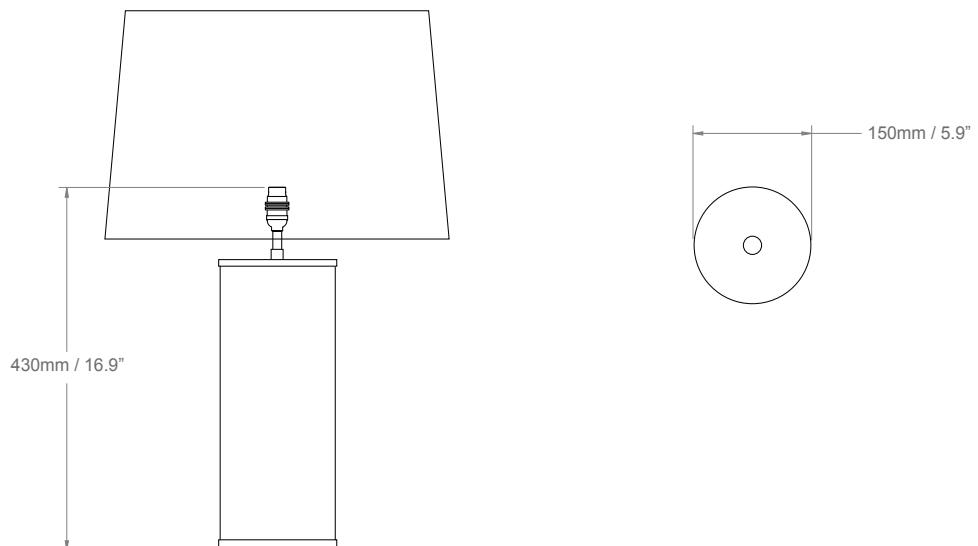
**TIGER PENSHELL TABLE
LAMP**



PRODUCT CODE TL154

CATEGORY: TABLE & FLOOR LAMPS

DIMENSIONS



TIGER PENSHELL TABLE LAMP

| | | | |
|---|---|---|---|
| LAMP TYPE INCANDESCENT | UK 1 x 60W (Max) B22 Standard | EU 1 x 60W (Max) E27 Standard | USA 1 x 60W E26 General Service |
| SHADE OPTIONS | UK/EU Round Large BC (16" base x 10" top x 14" height). | | USA Round Large BC (16" base x 10" top x 14" height). |
| CLEANING & MAINTENANCE | Metal - use a soft, dry cloth Shade - wipe gently with a dry cloth or dust lightly with a feather duster. Repeat regularly to prevent build up of dust. Regular cleaning will prevent the possibility of dust becoming ingrained. DO NOT let water or moisture near the shade. | | |