

HF

HECTOR FINCH

LIGHTING

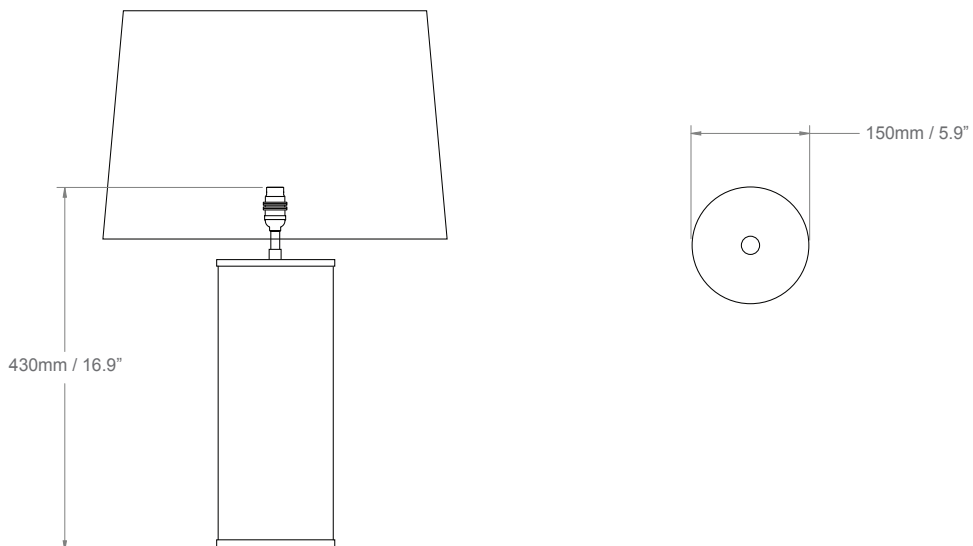
**TIGER COWRIE TABLE
LAMP**



PRODUCT CODE TL155

CATEGORY: TABLE & FLOOR LAMPS

DIMENSIONS



TIGER COWRIE TABLE LAMP

LAMP TYPE INCANDESCENT	UK 1 x 60W (Max) B22 Standard	EU 1 x 60W (Max) E27 Standard	USA 1 x 60W E26 General Service
SHADE OPTIONS	UK/EU Round Large BC (16" base x 10" top x 14" height).		USA Round Large BC (16" base x 10" top x 14" height).
CLEANING & MAINTENANCE	Metal - use a soft, dry cloth Shade - wipe gently with a dry cloth or dust lightly with a feather duster. Repeat regularly to prevent build up of dust. Regular cleaning will prevent the possibility of dust becoming ingrained. DO NOT let water or moisture near the shade.		