

HF

HECTOR FINCH

LIGHTING

---

**VIOLET OYSTER SHELL  
TABLE LAMP**

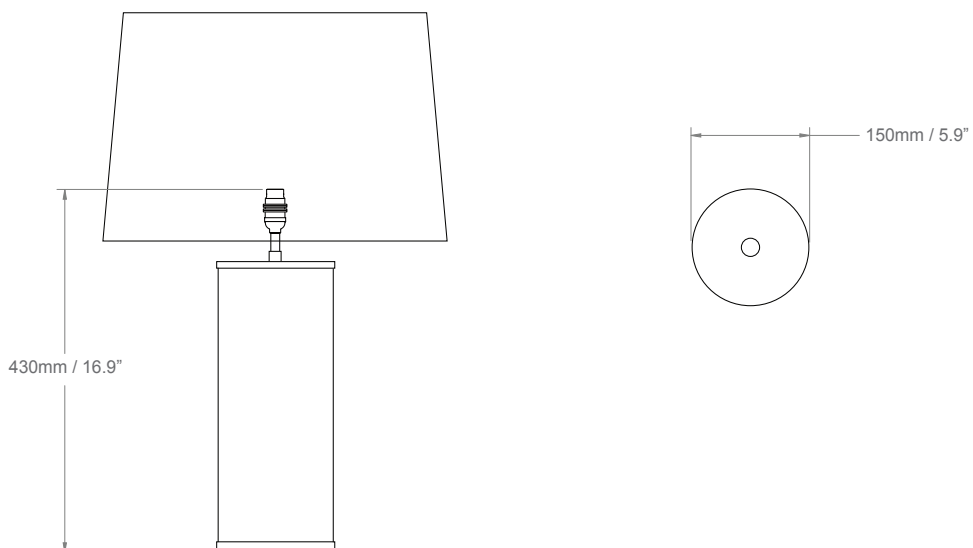


PRODUCT CODE TL157

CATEGORY: TABLE & FLOOR LAMPS

---

**DIMENSIONS**



## VIOLET OYSTER SHELL TABLE LAMP

<b>LAMP TYPE</b> <b>INCANDESCENT</b>	<b>UK</b> 1 x 60W (Max) B22 Standard	<b>EU</b> 1 x 60W (Max) E27 Standard	<b>USA</b> 1 x 60W E26 General Service
<b>SHADE OPTIONS</b>	<b>UK/EU</b> Round Large BC (16" base x 10" top x 14" height).		<b>USA</b> Round Large BC (16" base x 10" top x 14" height).
<b>CLEANING &amp; MAINTENANCE</b>	Metal - use a soft, dry cloth Shade - wipe gently with a dry cloth or dust lightly with a feather duster. Repeat regularly to prevent build up of dust. Regular cleaning will prevent the possibility of dust becoming ingrained. DO NOT let water or moisture near the shade.		