

HF

HECTOR FINCH

LIGHTING

LILAC COWRIE TABLE LAMP

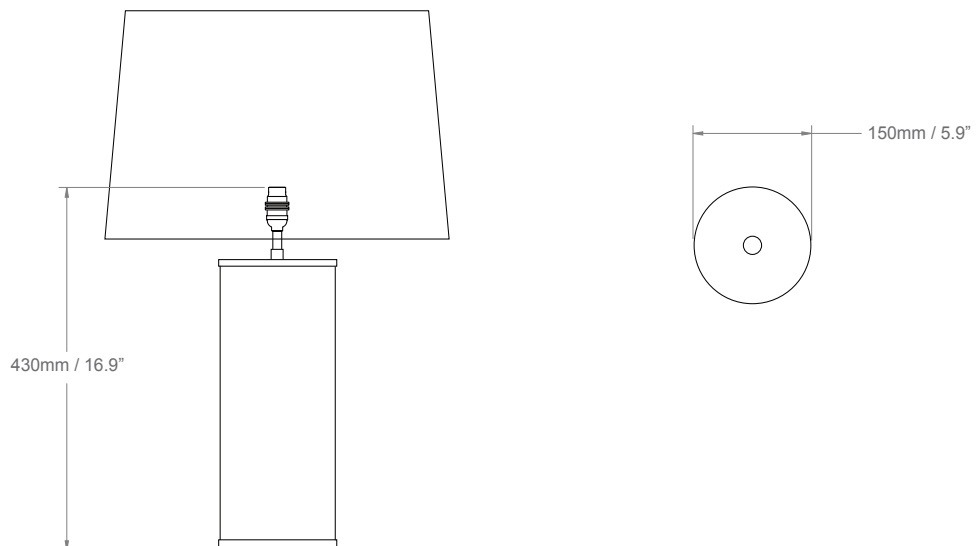
Made in The Philippines exclusively for Hector Finch by Simon Orrell Designs, the Lilac Cowrie Table Lamp is covered in tiny pieces of shells, all from sustainable non-CITES protected marine creatures. They are glamorous and elegant and espouse the less-is-more aesthetic that characterises the Hector Finch Collection.



PRODUCT CODE TL161

CATEGORY: TABLE & FLOOR LAMPS

DIMENSIONS



LILAC COWRIE SHELL TABLE LAMP

LAMP TYPE INCANDESCENT	UK 1 x 60W (Max) B22 Standard	EU 1 x 60W (Max) E27 Standard	USA 1 x 60W E26 General Service
SHADE OPTIONS	UK/EU Round Large BC (16" base x 10" top x 14" height).		USA Round Large BC (16" base x 10" top x 14" height).
CLEANING & MAINTENANCE	Metal - use a soft, dry cloth Shade - wipe gently with a dry cloth or dust lightly with a feather duster. Repeat regularly to prevent build up of dust. Regular cleaning will prevent the possibility of dust becoming ingrained. DO NOT let water or moisture near the shade.		