



HECTOR FINCH

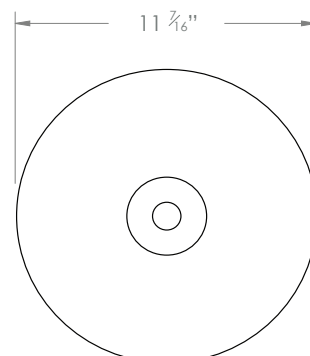
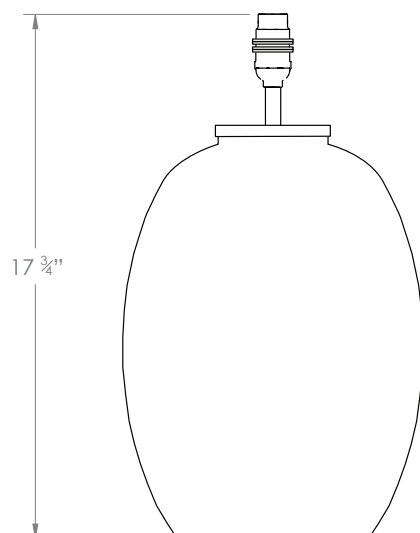
MALA EMERALD DIAMOND TABLE LAMP LARGE



PRODUCT CODE TL166L

CATEGORY: TABLE & FLOOR LIGHTS

DIMENSIONS





PRODUCT CODE TL166L

CATEGORY: TABLE & FLOOR LIGHTS

MALA EMERALD DIAMOND TABLE LAMP LARGE

LAMP TYPE	USA 1 x 60W (Max) E26 General Service
SHADE OPTIONS	USA Shade 29, Round (18" base X 16" top X 10" height).
SIZE & SIMILAR OPTIONS	Mala Honeycomb Table Lamp Medium (TL169M) and Mala Honeycomb Table Lamp Large (TL169L).
WEIGHT	11lb 11oz
ADDITIONAL INFORMATION	Shade not included.
CLEANING AND MAINTENANCE INSTRUCTIONS	<p>Fabric Shades: Wipe gently with a dry cloth or dust lightly with a feather duster. Repeat regularly to prevent the build up of dust. Regular cleaning will prevent the possibility of dust becoming ingrained. Do not let water or moisture come into contact with the shade.</p> <p>Metalwork: We recommend a light polish with a non-abrasive lint free cloth. Do not use any metal cleaning products on the fixture as it can remove the finish entirely. Unlacquered brass finish will patinate slowly over time and can be brightened to brass by the use of a brass cleaning agent.</p> <p>Glass: Remove the glass where it is safe to do so. The glass then can be cleaned with a glass cleaner and a lint free cloth. Do not spray glass cleaner directly on the glass or fixture as it could affect the metal finish. Ensure the light is switched off and take care not to pull the flex or allow water to come into contact with the electrical components. Regular dusting with a feather duster will also help keep the glass clean.</p>