



HECTOR FINCH

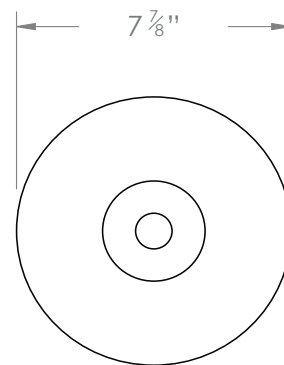
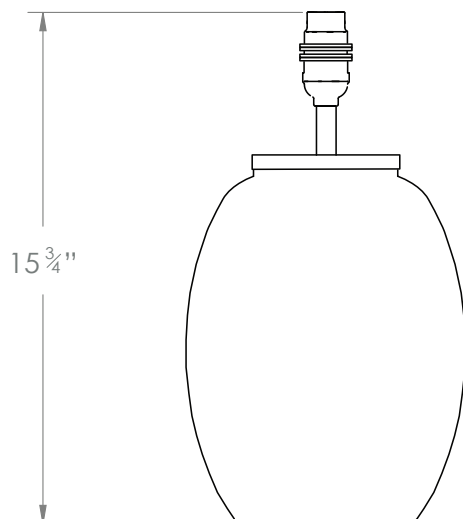
## MALA HONEYCOMB TABLE LAMP MEDIUM



PRODUCT CODE TL169M

CATEGORY: TABLE & FLOOR LIGHTS

### DIMENSIONS





PRODUCT CODE TL169M

CATEGORY: TABLE & FLOOR LIGHTS

---

## MALA HONEYCOMB TABLE LAMP MEDIUM

<b>LAMP TYPE</b>	<b>USA</b> 1 x 60W (Max) E26 General Service
<b>SHADE OPTIONS</b>	<b>USA</b> Shade 15, Round (16" base X 14" top X 10" height).
<b>SIZE &amp; SIMILAR OPTIONS</b>	Mala Emerald Diamond Table Lamp Medium (TL166M) and Mala Honeycomb Table Lamp Large (TL169L).
<b>WEIGHT</b>	9lb 4oz
<b>ADDITIONAL INFORMATION</b>	Shade not included.
<b>CLEANING AND MAINTENANCE INSTRUCTIONS</b>	<p>Fabric Shades: Wipe gently with a dry cloth or dust lightly with a feather duster. Repeat regularly to prevent the build up of dust. Regular cleaning will prevent the possibility of dust becoming ingrained. Do not let water or moisture come into contact with the shade.</p> <p>Metalwork: We recommend a light polish with a non-abrasive lint free cloth. Do not use any metal cleaning products on the fixture as it can remove the finish entirely. Unlacquered brass finish will patinate slowly over time and can be brightened to brass by the use of a brass cleaning agent.</p> <p>Glass: Remove the glass where it is safe to do so. The glass then can be cleaned with a glass cleaner and a lint free cloth. Do not spray glass cleaner directly on the glass or fixture as it could affect the metal finish. Ensure the light is switched off and take care not to pull the flex or allow water to come into contact with the electrical components. Regular dusting with a feather duster will also help keep the glass clean.</p>