



HECTOR FINCH

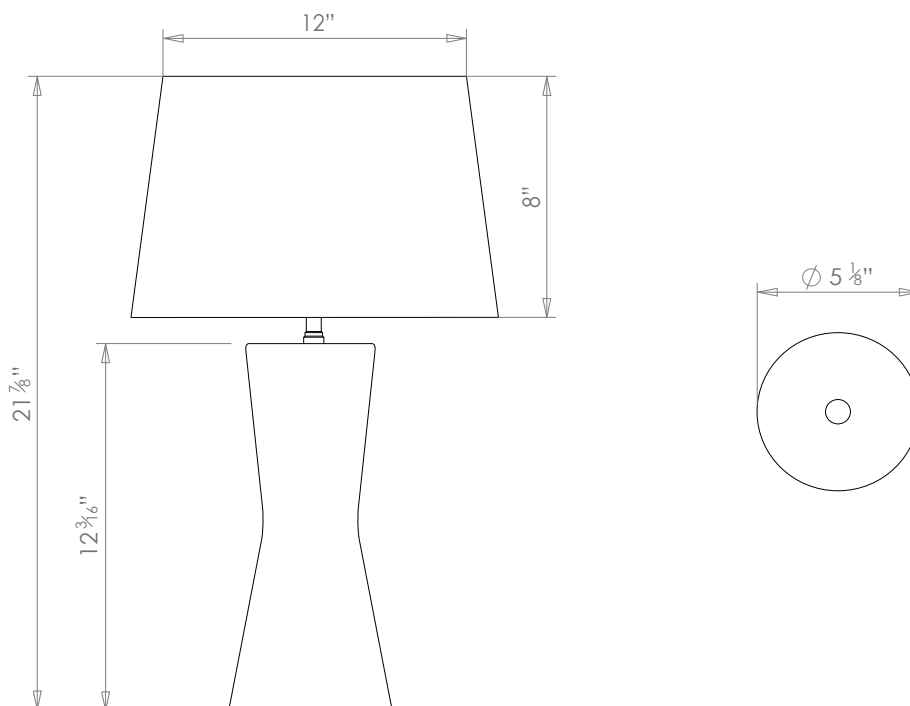
NINA TABLE LAMP



PRODUCT CODE TL180

CATEGORY: TABLE & FLOOR LIGHTS

DIMENSIONS





PRODUCT CODE TL180

CATEGORY: TABLE & FLOOR LIGHTS

NINA TABLE LAMP

LAMP TYPE	USA 1 x 60W (Max) E26 General Service
SHADE OPTIONS	USA Shade 21, Drum (14" base X 12" top X 8" height).
FINISH OPTIONS	Brass Polished Lacquered (shown).
COLOUR OPTIONS	 Arancio Naturale Rosso Taupe
WEIGHT	3lb 8oz
ADDITIONAL INFORMATION	Shade not included.
CLEANING AND MAINTENANCE INSTRUCTIONS	<p>Fabric Shades: Wipe gently with a dry cloth or dust lightly with a feather duster. Repeat regularly to prevent the build up of dust. Regular cleaning will prevent the possibility of dust becoming ingrained. Do not let water or moisture come into contact with the shade.</p> <p>Ceramic: The ceramic components can be cleaned with a light spray of water and a lint free cloth. Ensure the light is switched off and take care not to pull the flex or allow water to come into contact on the electrical components.</p>