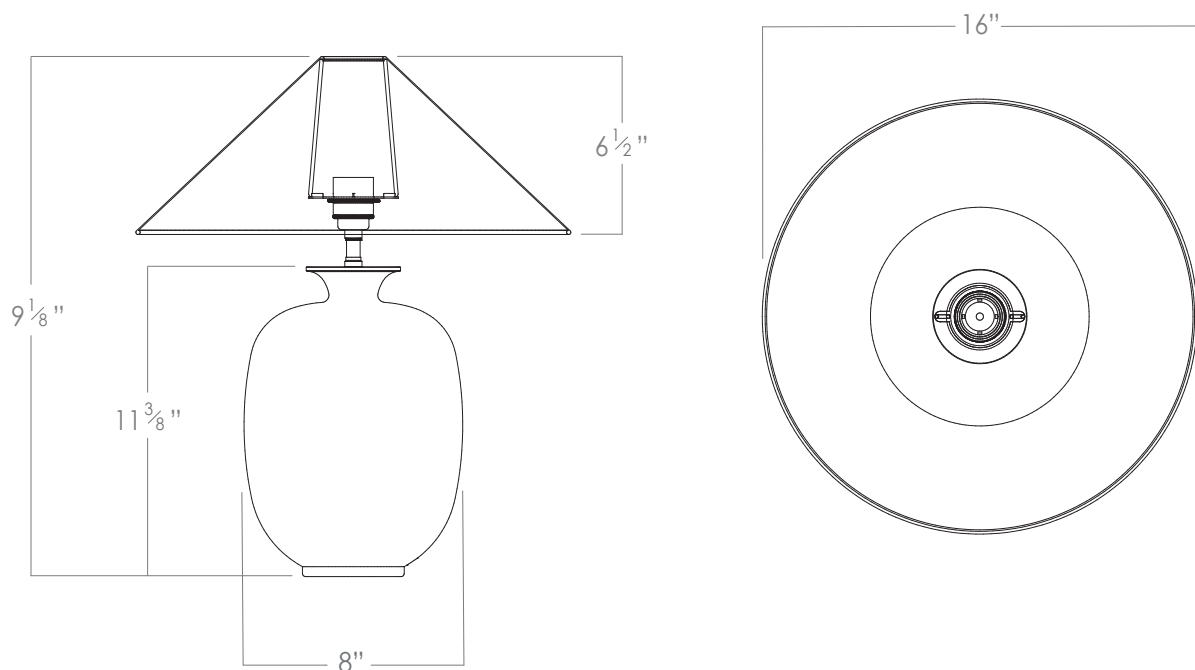


AMBER CERAMIC TABLE LAMP MEDIUM



TL193M

DIMENSIONS



AMBER CERAMIC TABLE LAMP MEDIUM

DIMENSIONS

| | |
|--------|---------|
| Width | 8" |
| Height | 19 1/8" |

MOUNTING

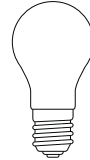
| | |
|--------|-----------|
| Weight | 7lbs 11oz |
|--------|-----------|

FINISH OPTIONS

Brass Polished Unlacquered (shown)

LAMP TYPE

Lamp supplied: NO
Hector Finch recommends
1 x 60W (Max) E26 General Service



ADDITIONAL INFORMATION

Supplied with 8ft of silk cable as standard.
Additional cable can be supplied on request

CLEANING AND MAINTENANCE INSTRUCTIONS

Ceramic:
The ceramic components can be cleaned with a light spray of water and a lint free cloth. Ensure the light is switched off and take care not to pull the flex or allow water to come into contact on the electrical components.

Metalwork:
We recommend a light polish with a non-abrasive lint free cloth. Do not use any metal cleaning products on the fixture as it can remove the finish entirely. Unlacquered brass finish will patinate slowly over time and can be brightened to brass by the use of a brass cleaning agent.