



HECTOR FINCH

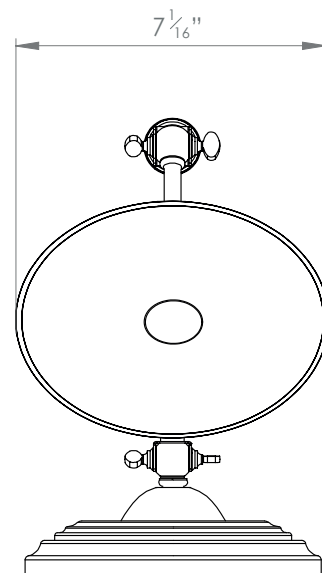
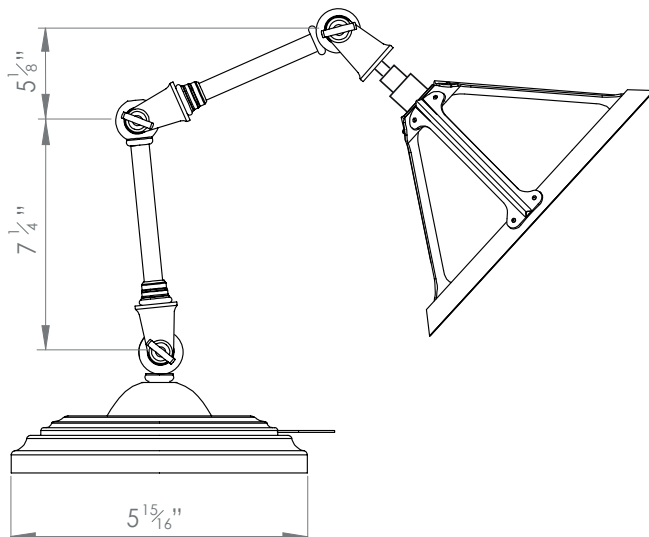
VENETIA DESK LAMP ANTIQUE BRASS & ANTIQUE COPPER



PRODUCT CODE TL2

CATEGORY: TABLE & FLOOR LAMPS

DIMENSIONS





PRODUCT CODE TL2

CATEGORY: TABLE & FLOOR LAMPS

VENETIA DESK LAMP ANTIQUE BRASS & ANTIQUE COPPER

LAMP TYPE

USA

1 x 40W (Max) E12 Golfball

FINISH OPTIONS

Antique Brass.

SHADE COLOUR OPTIONS



Porcelain



Thyme

SIZE & SIMILAR OPTIONS

Venetia Double Arm Wall Light (WL19), Gabriel Single Arm Wall Light Model I (WL27), Gabriel Single Arm Wall Light Model II (WL38), May Desk Lamp (TL4) and May Desk Lamp with Trough Shade (TL5).

CLEANING AND MAINTENANCE INSTRUCTIONS

Metalwork:

We recommend a light polish with a non-abrasive lint free cloth. Do not use any metal cleaning products on the fixture as it can remove the finish entirely. Unlacquered brass finish will patinate slowly over time and can be brightened to brass by the use of a brass cleaning agent.

Fabric Shades:

Wipe gently with a dry cloth or dust lightly with a feather duster. Repeat regularly to prevent the build up of dust. Regular cleaning will prevent the possibility of dust becoming ingrained. Do not let water or moisture come into contact with the shade.