

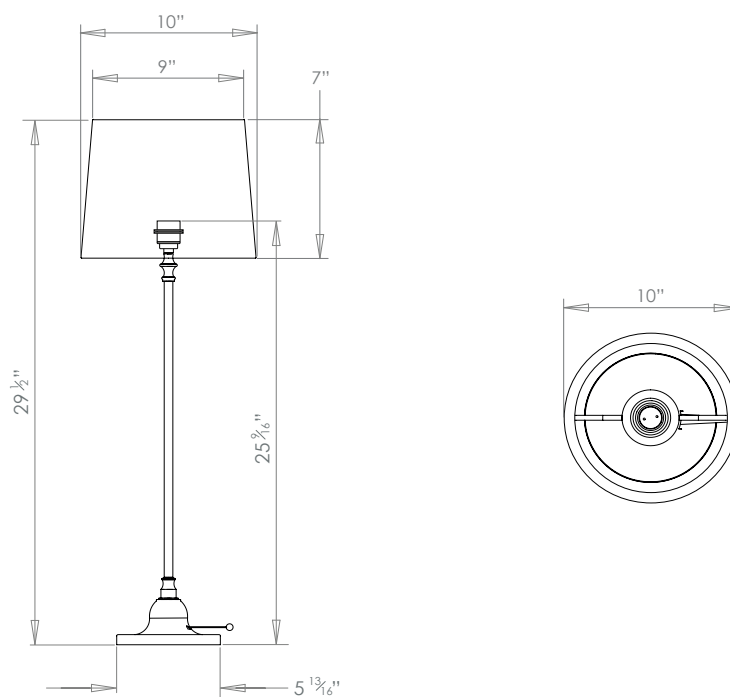
HECTOR TABLE LAMP



PRODUCT CODE TL3

CATEGORY: TABLE & FLOOR LIGHTS

DIMENSIONS





HECTOR FINCH

PRODUCT CODE TL3

CATEGORY: TABLE & FLOOR LIGHTS

HECTOR TABLE LAMP

LAMP TYPE	USA 1 x 60W (Max) E26 General Service
SHADE OPTIONS	USA Shade 18, Round (10" base X 9" top X 7" height). Shade 30, Oval (12 ½" base X 12 ½" top X 7" height).
FINISH OPTIONS	Brass Polished Lacquered, Brass Polished Unlacquered (shown), Antique Brass, Bronze, Nickel Polished and Nickel Matte.
WEIGHT	4lb 7oz
ADDITIONAL INFORMATION	Shade not included.
CLEANING AND MAINTENANCE INSTRUCTIONS	<p>Metalwork: We recommend a light polish with a non-abrasive lint free cloth. Do not use any metal cleaning products on the fixture as it can remove the finish entirely. Unlacquered brass finish will patinate slowly over time and can be brightened to brass by the use of a brass cleaning agent.</p> <p>Fabric Shades: Wipe gently with a dry cloth or dust lightly with a feather duster. Repeat regularly to prevent the build up of dust. Regular cleaning will prevent the possibility of dust becoming ingrained. Do not let water or moisture come into contact with the shade.</p>