

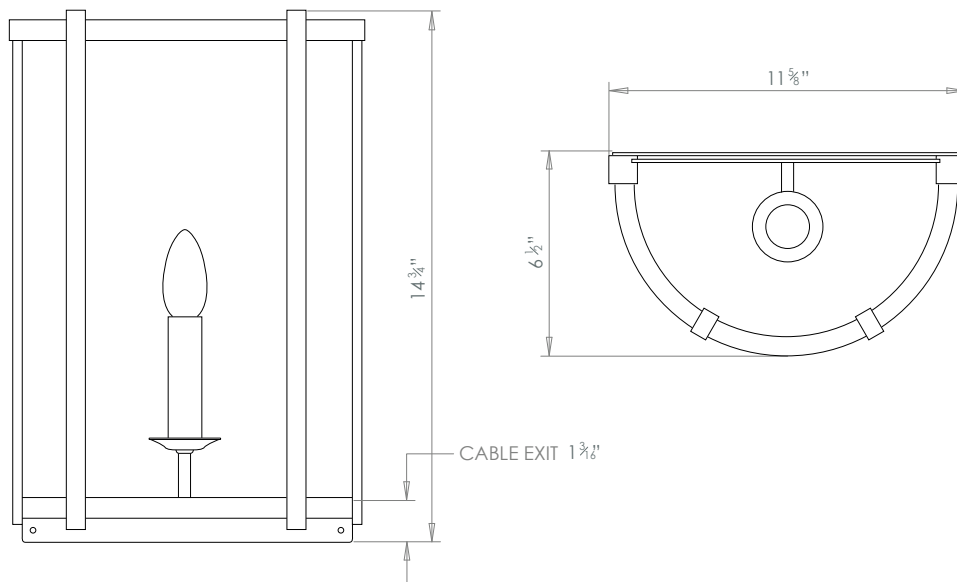
## FINN WALL LANTERN



PRODUCT CODE WL20

CATEGORY: WALL LANTERNS

### DIMENSIONS






PRODUCT CODE WL20

CATEGORY: WALL LANTERNS

---

## FINN WALL LANTERN

<b>LAMP TYPE</b>	<b>USA</b> 1 x 60W (Max) E12 Candelabra
<b>FINISH OPTIONS</b>	Antique Brass, Bronze (shown) and Nickel Polished.
<b>SIZE &amp; SIMILAR OPTIONS</b>	Michael Half Moon Lantern (WL251).
<b>WEIGHT</b>	7lb 15oz
<b>ACCREDITATION</b>	This product is UL certificated. 
<b>CLEANING AND MAINTENANCE INSTRUCTIONS</b>	<p><b>Metalwork:</b> We recommend a light polish with a non-abrasive lint free cloth. Do not use any metal cleaning products on the fixture as it can remove the finish entirely. Unlacquered brass finish will patinate slowly over time and can be brightened to brass by the use of a brass cleaning agent.</p> <p><b>Glass:</b> Remove the glass where it is safe to do so. The glass then can be cleaned with a glass cleaner and a lint free cloth. Do not spray glass cleaner directly on the glass or fixture as it could affect the metal finish. Ensure the light is switched off and take care not to pull the flex or allow water to come into contact with the electrical components. Regular dusting with a feather duster will also help keep the glass clean.</p>