



HECTOR FINCH

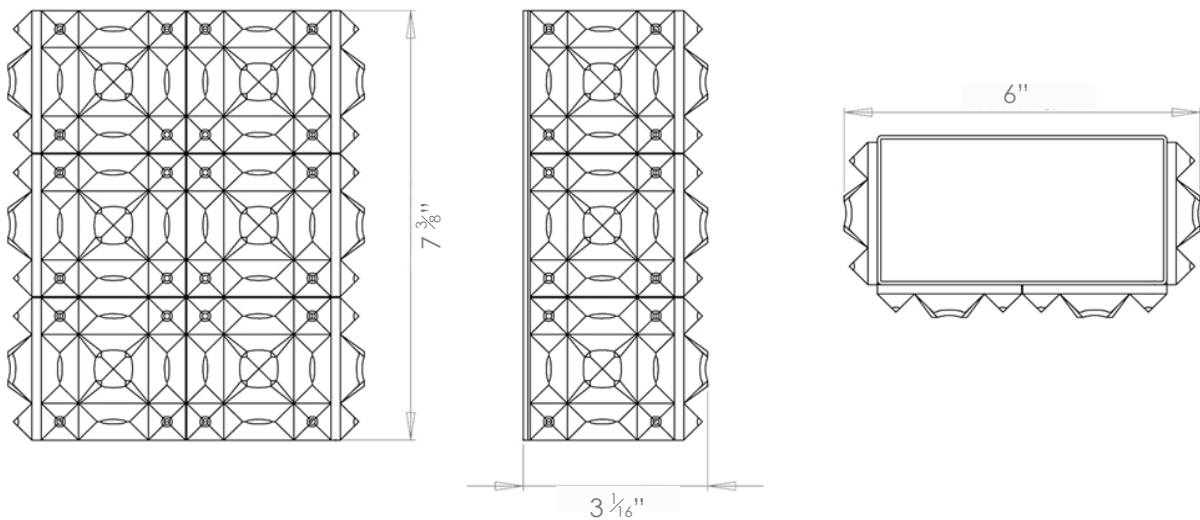
BERLIN WALL LIGHT SINGLE



PRODUCT CODE WL213

CATEGORY: WALL LIGHTS

DIMENSIONS






PRODUCT CODE WL213

CATEGORY: WALL LIGHTS

BERLIN WALL LIGHT SINGLE

LAMP TYPE	USA 1 x 60W (Max) E12 Candelabra
FINISH OPTIONS	Antique Brass, Bronze and Nickel Polished (shown).
SIZE & SIMILAR OPTIONS	Berlin Pillar Light (WL280), Berlin Wall Light Double (WL255), Cinema Wall Light Single (WL212), Cinema Wall Light Double (WL211) and Berlin Ceiling Light (CL14).
WEIGHT	4lb 7oz
ACCREDITATION	This product is UL certificated. 
MOUNTING	Our wall lights are designed to fit a standard US j-box with mounting holes 3 5/16" apart.
CLEANING AND MAINTENANCE INSTRUCTIONS	<p>Metalwork: We recommend a light polish with a non-abrasive lint free cloth. Do not use any metal cleaning products on the fixture as it can remove the finish entirely. Unlacquered brass finish will patinate slowly over time and can be brightened to brass by the use of a brass cleaning agent.</p> <p>Glass: Remove the glass where it is safe to do so. The glass then can be cleaned with a glass cleaner and a lint free cloth. Do not spray glass cleaner directly on the glass or fixture as it could affect the metal finish. Ensure the light is switched off and take care not to pull the flex or allow water to come into contact with the electrical components. Regular dusting with a feather duster will also help keep the glass clean.</p>