

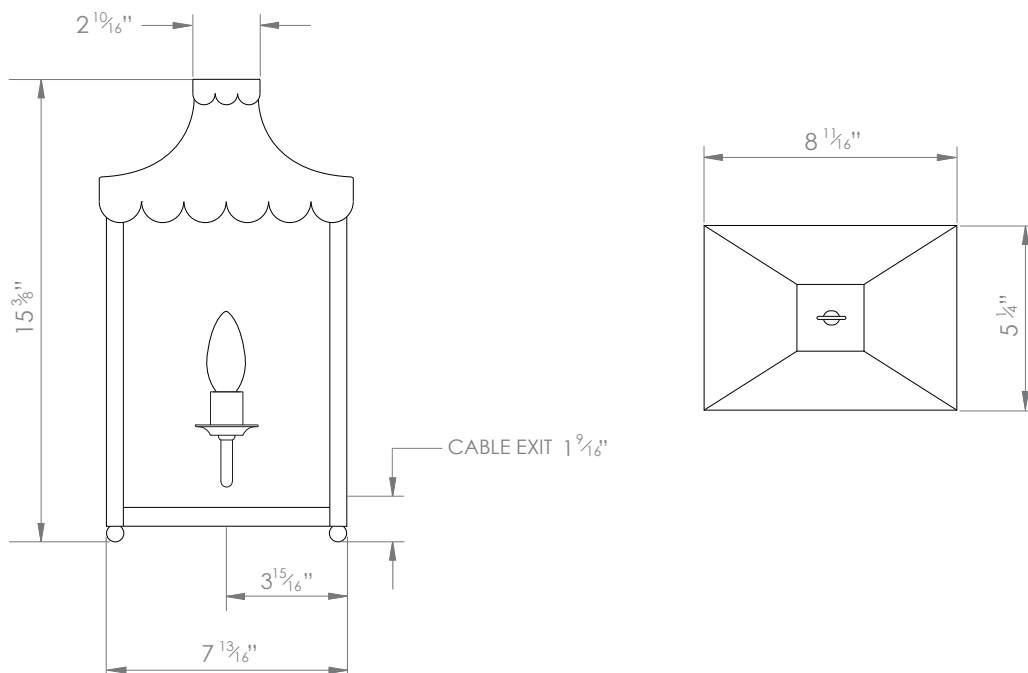
SCALLOP EDGE WALL LANTERN



PRODUCT CODE WL22

CATEGORY: WALL LANTERNS

DIMENSIONS






PRODUCT CODE WL22

CATEGORY: WALL LANTERNS

SCALLOP EDGE WALL LANTERN

LAMP TYPE	USA Internal use: 1 x 40W (Max) E12
FINISH OPTIONS	Antique Brass (shown), Bronze and Zinc.
SIZE & SIMILAR OPTIONS	Scallop Edge Hanging Lantern (LA8).
WEIGHT	4lb 10oz
ADDITIONAL INFORMATION	Can be supplied with IP44 Osh Lamp as standard for use in zone 2 within bathrooms and outdoor undercover.
ACCREDITATION	This product is UL certificated. 
CLEANING AND MAINTENANCE INSTRUCTIONS	<p>Metalwork: We recommend a light polish with a non-abrasive lint free cloth. Do not use any metal cleaning products on the fixture as it can remove the finish entirely. Unlacquered brass finish will patinate slowly over time and can be brightened to brass by the use of a brass cleaning agent.</p> <p>Glass: Remove the glass where it is safe to do so. The glass then can be cleaned with a glass cleaner and a lint free cloth. Do not spray glass cleaner directly on the glass or fixture as it could affect the metal finish. Ensure the light is switched off and take care not to pull the flex or allow water to come into contact with the electrical components. Regular dusting with a feather duster will also help keep the glass clean.</p>