



HECTOR FINCH

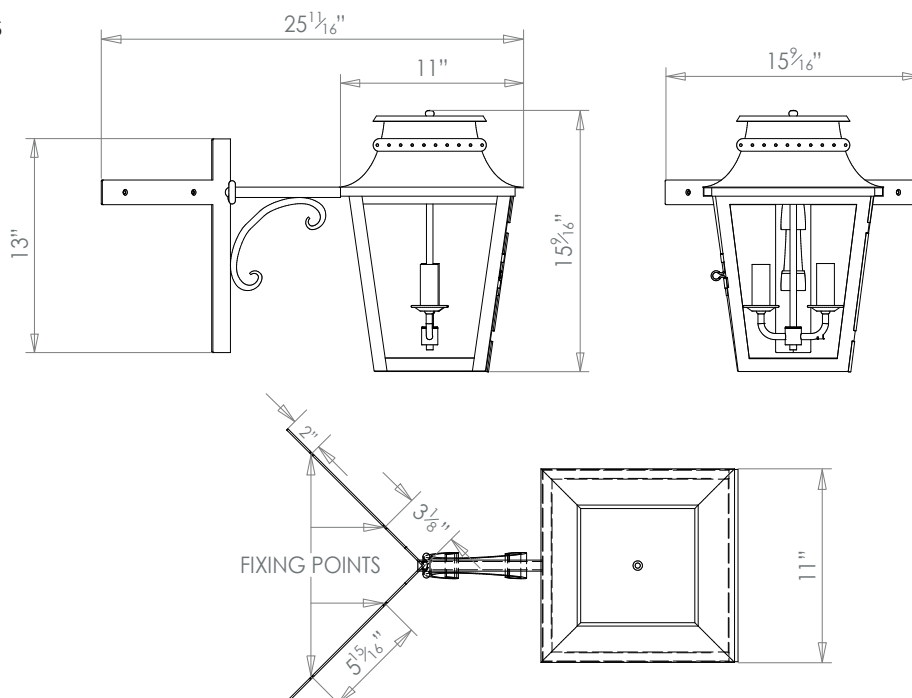
ZEUS HANGING LANTERN ON CORNER FORK BRACKET MEDIUM



PRODUCT CODE WL224M

CATEGORY: WALL LANTERNS

DIMENSIONS





PRODUCT CODE WL224M

CATEGORY: WALL LANTERNS

ZEUS HANGING LANTERN ON CORNER FORK BRACKET MEDIUM

LAMP TYPE	USA 2 x Osh Lamp with 33W (Max) G9 halogen
FINISH OPTIONS	Antique Brass, Bronze, Black and Zinc (shown).
SIZE & SIMILAR OPTIONS	Zeus Hanging Lantern on Bracket (WL293), Zeus Lantern on Lower Bracket (WL295), Zeus Lantern on Post Mount (WL308), Zeus Hanging Lantern (LA93) and Zeus Wall Lantern (WL258).
ADDITIONAL INFORMATION	The Zinc finish is made out of sheet zinc which is then acid washed to achieve a matte finish while the Galvanized Steel is a protective zinc coating to steel.
CLEANING AND MAINTENANCE INSTRUCTIONS	<p>Metalwork: We recommend a light polish with a non-abrasive lint free cloth. Do not use any metal cleaning products on the fixture as it can remove the finish entirely. Unlacquered brass finish will patinate slowly over time and can be brightened to brass by the use of a brass cleaning agent.</p> <p>Glass: The glass can be cleaned with a glass cleaner and a lint free cloth. Do not spray glass cleaner directly on the glass or fixture as it could affect the metal finish. Ensure the light is switched off and take care not to pull the flex or allow water to come into contact with the electrical components. Regular dusting with a feather duster will also help keep the glass clean.</p>