



HECTOR FINCH

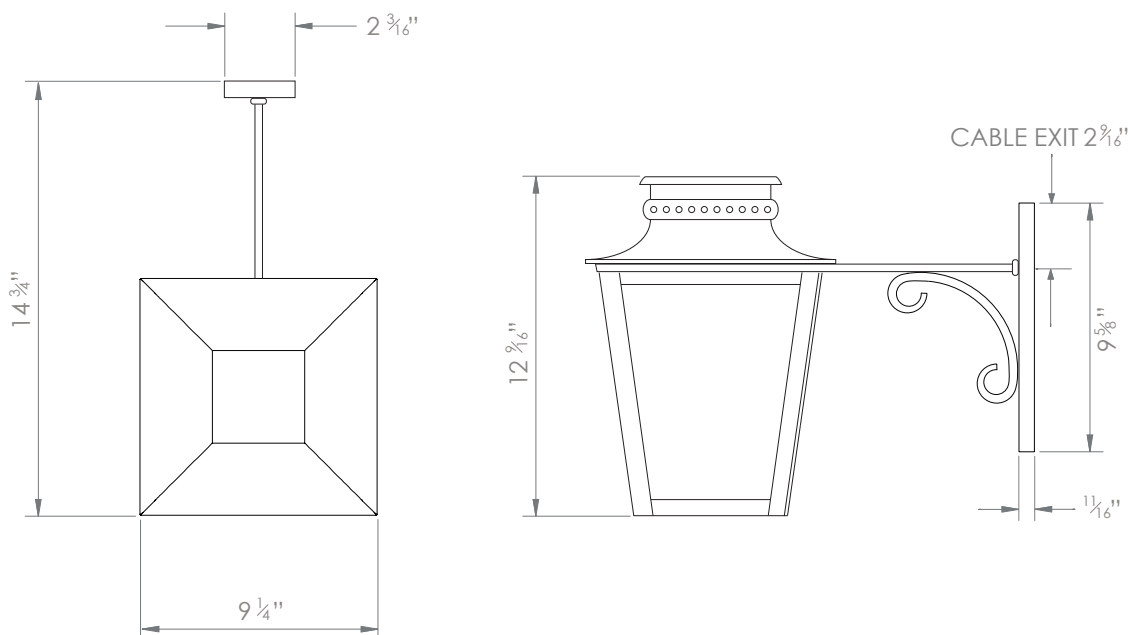
ZEUS HANGING LANTERN ON HOOP BRACKET SMALL



PRODUCT CODE WL228S

CATEGORY: WALL LANTERNS

DIMENSIONS





PRODUCT CODE WL228S

CATEGORY: WALL LANTERNS

ZEUS HANGING LANTERN ON HOOP BRACKET SMALL

LAMP TYPE	UK / EU 1 x Osh Lamp with 33W (Max) G9 halogen
FINISH OPTIONS	Antique Brass (shown), Black and Zinc.
SIZE & SIMILAR OPTIONS	Zeus Hanging Lantern on Bracket (WL293), Zeus Lantern on Lower Bracket (WL295), Zeus Lantern on Post Mount (WL308), Zeus Hanging Lantern (LA93) and Zeus Wall Lantern (WL258).
WEIGHT	4kg
CLEANING AND MAINTENANCE INSTRUCTIONS	<p>Metalwork: We recommend a light polish with a non-abrasive lint free cloth. Do not use any metal cleaning products on the fixture as it can remove the finish entirely. Unlacquered brass finish will patinate slowly over time and can be brightened to brass by the use of a brass cleaning agent.</p> <p>Glass: Remove the glass where it is safe to do so. The glass then can be cleaned with a glass cleaner and a lint free cloth. Do not spray glass cleaner directly on the glass or fixture as it could affect the metal finish. Ensure the light is switched off and take care not to pull the flex or allow water to come into contact with the electrical components. Regular dusting with a feather duster will also help keep the glass clean.</p>