

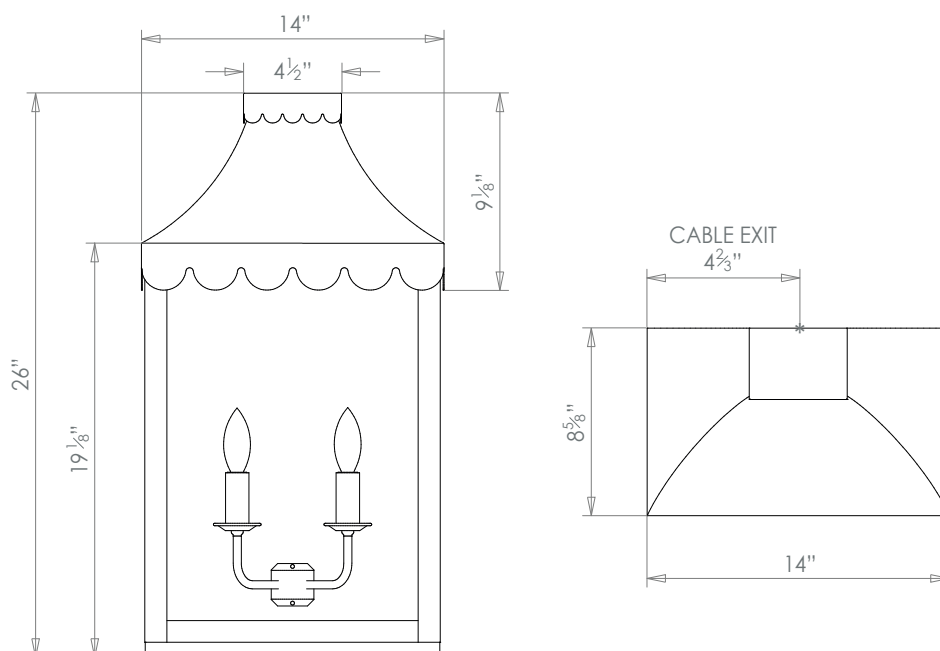
## SCALLOP EDGE WALL LANTERN LARGE



PRODUCT CODE WL22L

CATEGORY: WALL LANTERNS

### DIMENSIONS





PRODUCT CODE WL22L

CATEGORY: WALL LANTERNS

---

## SCALLOP EDGE WALL LANTERN LARGE

---

**LAMP TYPE**

**USA**

2 x Osh Lamp with 33W (Max) G9 halogen

---

**FINISH OPTIONS**

Antique Brass, Black, Bronze (shown), and Zinc.

---

**SIZE & SIMILAR OPTIONS**

Scallop Edge Hanging Lantern (LA8) and Scallop Edge Wall Lantern (WL22).

---

**CLEANING AND  
MAINTENANCE  
INSTRUCTIONS**

Glass:

The glass can be cleaned with a glass cleaner and a lint free cloth. Do not spray glass cleaner directly on the glass or fixture as it could affect the metal finish. Ensure the light is switched off and take care not to pull the flex or allow water to come into contact with the electrical components. Regular dusting with a feather duster will also help keep the glass clean.

Metalwork:

We recommend a light polish with a non-abrasive lint free cloth. Do not use any metal cleaning products on the fixture as it can remove the finish entirely. Unlacquered brass finish will patinate slowly over time and can be brightened to brass by the use of a brass cleaning agent.