



HECTOR FINCH

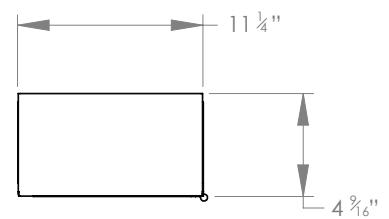
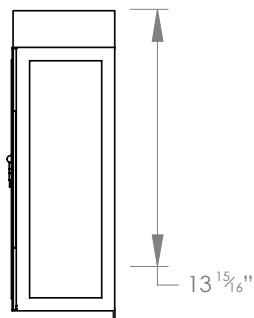
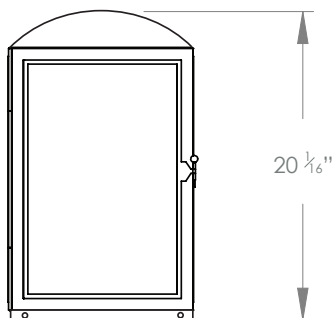
DOME TOP WALL LANTERN LARGE



PRODUCT CODE WL250L

CATEGORY: WALL LANTERNS

DIMENSIONS






PRODUCT CODE WL250L

CATEGORY: WALL LANTERNS

DOME TOP WALL LANTERN LARGE

| | |
|--|---|
| LAMP TYPE | USA 2 x Osh Lamp with 33W (Max) G9 halogen |
| FINISH OPTIONS | Antique Brass, Bronze (shown) and Zinc. |
| SIZE & SIMILAR OPTIONS | Square Lantern With Chimney and Mirror (WL253) and Dome Top Wall Lantern Small (WL250). |
| WEIGHT | 7lb 4oz |
| ACCREDITATION | This product is UL certificated.  |
| CLEANING AND MAINTENANCE INSTRUCTIONS | <p>Metalwork: We recommend a light polish with a non-abrasive lint free cloth. Do not use any metal cleaning products on the fixture as it can remove the finish entirely. Unlacquered brass finish will patinate slowly over time and can be brightened to brass by the use of a brass cleaning agent.</p> <p>Glass: Remove the glass where it is safe to do so. The glass then can be cleaned with a glass cleaner and a lint free cloth. Do not spray glass cleaner directly on the glass or fixture as it could affect the metal finish. Ensure the light is switched off and take care not to pull the flex or allow water to come into contact with the electrical components. Regular dusting with a feather duster will also help keep the glass clean.</p> |