



HECTOR FINCH

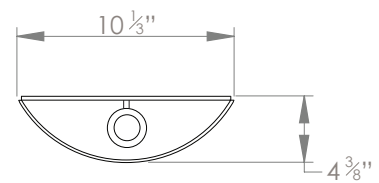
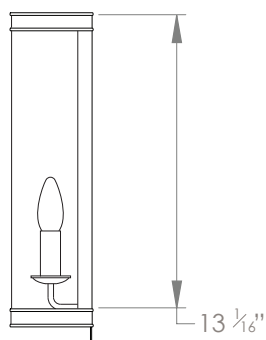
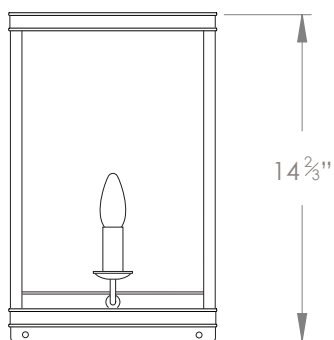
MICHAEL HALF MOON LANTERN LARGE



PRODUCT CODE WL251L

CATEGORY: WALL LANTERNS

DIMENSIONS





PRODUCT CODE WL251L

CATEGORY: WALL LANTERNS

MICHAEL HALF MOON LANTERN LARGE

| | |
|--|---|
| LAMP TYPE | USA 1 x 60W (Max) E12 Candelabra |
| FINISH OPTIONS | Antique Brass (shown), Bronze and Nickel Polished. |
| SIZE & SIMILAR OPTIONS | Michael Half Moon Lantern Small (WL251S). |
| WEIGHT | 6lb 6oz |
| ACCREDITATION | This product is UL certificated.  |
| CLEANING AND MAINTENANCE INSTRUCTIONS | <p>Metalwork: We recommend a light polish with a non-abrasive lint free cloth. Do not use any metal cleaning products on the fixture as it can remove the finish entirely. Unlacquered brass finish will patinate slowly over time and can be brightened to brass by the use of a brass cleaning agent.</p> <p>Glass: Remove the glass where it is safe to do so. The glass then can be cleaned with a glass cleaner and a lint free cloth. Do not spray glass cleaner directly on the glass or fixture as it could affect the metal finish. Ensure the light is switched off and take care not to pull the flex or allow water to come into contact with the electrical components. Regular dusting with a feather duster will also help keep the glass clean.</p> |