



HECTOR FINCH

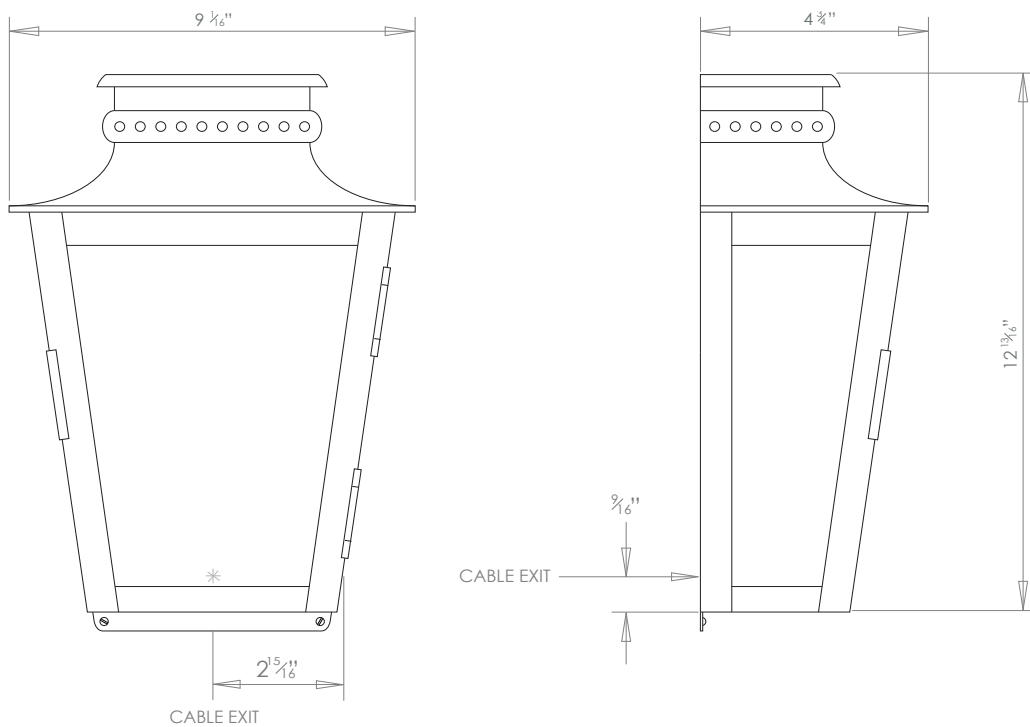
ZEUS WALL LANTERN SMALL



PRODUCT CODE WL258S

CATEGORY: WALL LANTERNS

DIMENSIONS





PRODUCT CODE WL258S

CATEGORY: WALL LANTERNS

ZEUS WALL LANTERN SMALL

LAMP TYPE	USA 1 x Osh Lamp with 33W (Max) G9 halogen
------------------	------------------------------------------------------

FINISH OPTIONS	Antique Brass, Black, Bronze, Verdigris (shown) and Zinc.
-----------------------	-----------------------------------------------------------

SIZE & SIMILAR OPTIONS	Zeus Wall Lantern Medium (WL258M), Zeus Wall Lantern Large (WL258L), Zeus Wall Lantern Extra Large (WL258XL), Zeus Lantern on Lower Bracket (WL295), Zeus Hanging Lantern on Bracket (WL293), Zeus Hanging Lantern (LA93) and Zeus Lantern on Post Mount (WL308).
-----------------------------------	-------------------------------------------------------------------------------------------------------------------------------------------------------------------------------------------------------------------------------------------------------------------

WEIGHT	3lb 8oz
---------------	---------

CLEANING AND MAINTENANCE INSTRUCTIONS	<p>Glass: The glass can be cleaned with a glass cleaner and a lint free cloth. Do not spray glass cleaner directly on the glass or fixture as it could affect the metal finish. Ensure the light is switched off and take care not to pull the flex or allow water to come into contact with the electrical components. Regular dusting with a feather duster will also help keep the glass clean.</p>
----------------------------------------------	------------------------------------------------------------------------------------------------------------------------------------------------------------------------------------------------------------------------------------------------------------------------------------------------------------------------------------------------------------------------------------------------------------

Metalwork:
We recommend a light polish with a non-abrasive lint free cloth. Do not use any metal cleaning products on the fixture as it can remove the finish entirely. Unlacquered brass finish will patinate slowly over time and can be brightened to brass by the use of a brass cleaning agent.