



HECTOR FINCH

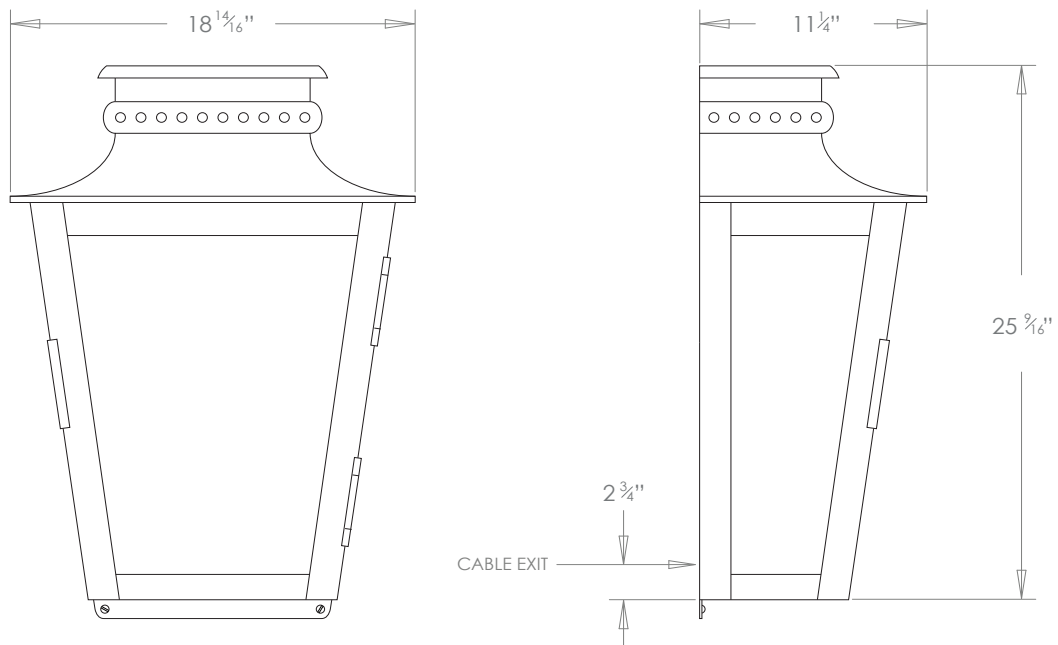
ZEUS WALL LANTERN EXTRA LARGE



PRODUCT CODE WL258XL

CATEGORY: WALL LANTERNS

DIMENSIONS






PRODUCT CODE WL258XL

CATEGORY: WALL LANTERNS

ZEUS WALL LANTERN EXTRA LARGE

LAMP TYPE	USA 2 x Osh Lamp with 33W (Max) G9 halogen
FINISH OPTIONS	Antique Brass and Zinc (shown).
SIZE & SIMILAR OPTIONS	Zeus Lantern on Lower Bracket (WL295), Zeus Hanging Lantern on Bracket (WL293), Zeus Hanging Lantern (LA93) and Zeus Lantern on Post Mount (WL308).
ACCREDITATION	This product is UL certificated. 
CLEANING AND MAINTENANCE INSTRUCTIONS	<p>Glass: Remove the glass where it is safe to do so. The glass then can be cleaned with a glass cleaner and a lint free cloth. Do not spray glass cleaner directly on the glass or fixture as it could affect the metal finish. Ensure the light is switched off and take care not to pull the flex or allow water to come into contact with the electrical components. Regular dusting with a feather duster will also help keep the glass clean.</p> <p>Metalwork: We recommend a light polish with a non-abrasive lint free cloth. Do not use any metal cleaning products on the fixture as it can remove the finish entirely. Unlacquered brass finish will patinate slowly over time and can be brightened to brass by the use of a brass cleaning agent.</p>