



HECTOR FINCH

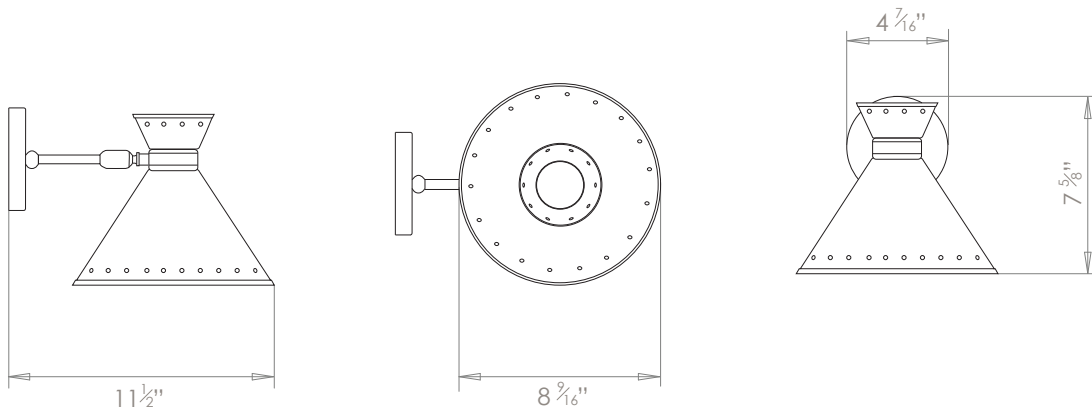
## TOM WALL LIGHT



PRODUCT CODE WL259

CATEGORY: WALL LIGHTS

### DIMENSIONS





PRODUCT CODE WL259

CATEGORY: WALL LIGHTS

## TOM WALL LIGHT

<b>LAMP TYPE</b>	<b>USA</b> 1 x 60W (Max) E12 Golfball
<b>FINISH OPTIONS</b>	Brass Polished Lacquered, Brass Polished Unlacquered, Antique Brass, Bronze, Chrome, Nickel Polished (shown) and Nickel Matte.
<b>COLOUR OPTIONS</b>	 Acqua Arancio Bianco Giallo Grigio Naturale Nero Rosso Taupe Verde Selenio
<b>SIZE &amp; SIMILAR OPTIONS</b>	Tom Wall Light With Switch (WL295SW), Tom Chandelier (CH80), Tom Swing Arm Wall Light (WL292) and Tom Reading Light (WL402).
<b>WEIGHT</b>	3lb 15oz
<b>CLEANING AND MAINTENANCE INSTRUCTIONS</b>	<b>Metalwork:</b> We recommend a light polish with a non-abrasive lint free cloth. Do not use any metal cleaning products on the fixture as it can remove the finish entirely. Unlacquered brass finish will patinate slowly over time and can be brightened to brass by the use of a brass cleaning agent.