



HECTOR FINCH

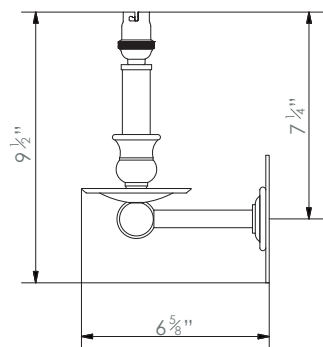
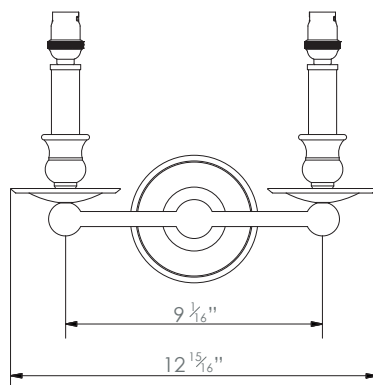
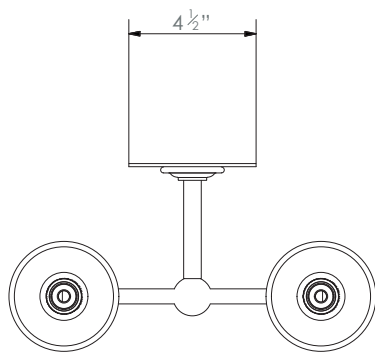
## HECTOR TWIN STRAIGHT ARM WALL LIGHT LARGE



PRODUCT CODE WL25L

CATEGORY: WALL LIGHTS

### DIMENSIONS






PRODUCT CODE WL25L

CATEGORY: WALL LIGHTS

## HECTOR TWIN STRAIGHT ARM WALL LIGHT LARGE

<b>LAMP TYPE</b>	<b>USA</b> 2 x 60W (Max) E26 Golfball
<b>SHADE OPTIONS</b>	<b>USA</b> Shade 8, Round (6" base X 4" top X 5" height).
<b>FINISH OPTIONS</b>	Brass Polished Lacquered, Brass Polished Unlacquered, Antique Brass, Bronze (shown), Chrome, Nickel Polished and Nickel Matte.
<b>SIZE &amp; SIMILAR OPTIONS</b>	Hector Twin Straight Arm Wall Light (WL25), Hector Single Straight Arm Wall Light (WL26) and Hector Single Straight Arm Wall Light Large (WL26L).
<b>WEIGHT</b>	1lb 9oz
<b>ACCREDITATION</b>	This product is UL certificated. 
<b>ADDITIONAL INFORMATION</b>	Shade not included.
<b>CLEANING AND MAINTENANCE INSTRUCTIONS</b>	<p><b>Metalwork:</b> We recommend a light polish with a non-abrasive lint free cloth. Do not use any metal cleaning products on the fixture as it can remove the finish entirely. Unlacquered brass finish will patinate slowly over time and can be brightened to brass by the use of a brass cleaning agent.</p> <p><b>Fabric Shades:</b> Wipe gently with a dry cloth or dust lightly with a feather duster. Repeat regularly to prevent the build up of dust. Regular cleaning will prevent the possibility of dust becoming ingrained. Do not let water or moisture come into contact with the shade.</p>