



HECTOR FINCH

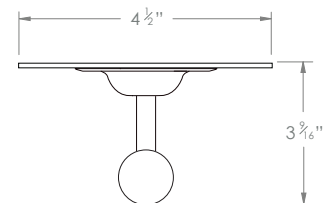
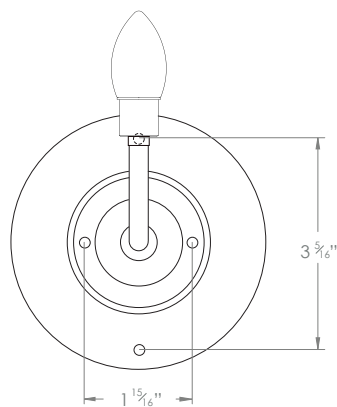
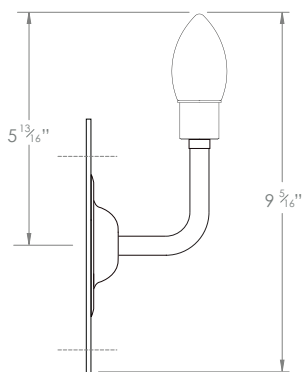
MINI L BRACKET WALL LIGHT



PRODUCT CODE WL261

CATEGORY: WALL LIGHTS

DIMENSIONS




*Shown with US marriage plate.



PRODUCT CODE WL261

CATEGORY: WALL LIGHTS

MINI L BRACKET WALL LIGHT

LAMP TYPE	USA 1 x 40W (Max) E12 Candelabra
SHADE OPTIONS	USA Shade 9, Round (4" base X 2 1/2" top X 4" height).
FINISH OPTIONS	Brass Polished Lacquered (shown), Brass Polished Unlacquered, Antique Brass, Bronze, Chrome, Nickel Polished and Nickel Matte.
WEIGHT	1lb 12oz
ACCREDITATION	This product is UL certificated. 
ADDITIONAL INFORMATION	Shade not included.
CLEANING AND MAINTENANCE INSTRUCTIONS	<p>Metalwork: We recommend a light polish with a non-abrasive lint free cloth. Do not use any metal cleaning products on the fixture as it can remove the finish entirely. Unlacquered brass finish will patinate slowly over time and can be brightened to brass by the use of a brass cleaning agent.</p> <p>Fabric Shades: Wipe gently with a dry cloth or dust lightly with a feather duster. Repeat regularly to prevent the build up of dust. Regular cleaning will prevent the possibility of dust becoming ingrained. Do not let water or moisture come into contact with the shade.</p>