



HECTOR FINCH

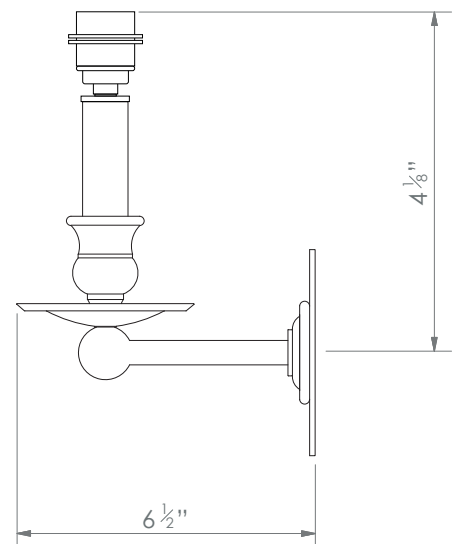
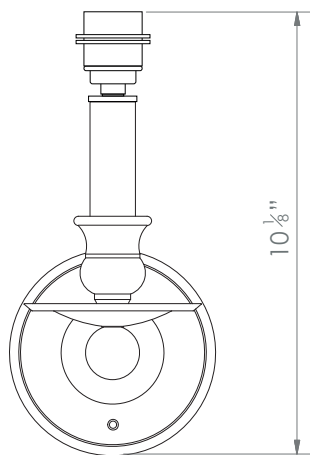
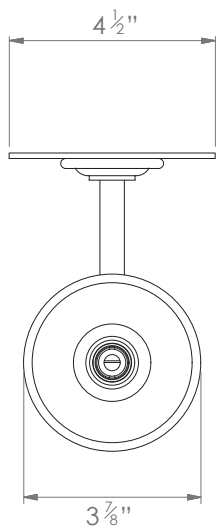
HECTOR SINGLE STRAIGHT ARM WALL LIGHT LARGE



PRODUCT CODE WL26L

CATEGORY: WALL LIGHTS

DIMENSIONS






HECTOR FINCH

PRODUCT CODE WL26L

CATEGORY: WALL LIGHTS

HECTOR SINGLE STRAIGHT ARM WALL LIGHT LARGE

LAMP TYPE	USA 1 x 60W (Max) E26 Golfball
SHADE OPTIONS	USA Shade 8, Round (6" base X 4" top X 5" height).
FINISH OPTIONS	Brass Polished Lacquered, Brass Polished Unlacquered, Antique Brass, Bronze (shown), Chrome, Nickel Polished and Nickel Matte.
SIZE & SIMILAR OPTIONS	Hector Single Straight Arm Wall Light (WL26), Hector Twin Straight Arm Wall Light (WL25) and Hector Twin Straight Arm Wall Light Large (WL25L).
WEIGHT	11lb 2oz
ACCREDITATION	This product is UL certificated. 
ADDITIONAL INFORMATION	Shade not included.
CLEANING AND MAINTENANCE INSTRUCTIONS	<p>Metalwork: We recommend a light polish with a non-abrasive lint free cloth. Do not use any metal cleaning products on the fixture as it can remove the finish entirely. Unlacquered brass finish will patinate slowly over time and can be brightened to brass by the use of a brass cleaning agent.</p> <p>Fabric Shades: Wipe gently with a dry cloth or dust lightly with a feather duster. Repeat regularly to prevent the build up of dust. Regular cleaning will prevent the possibility of dust becoming ingrained. Do not let water or moisture come into contact with the shade.</p>