

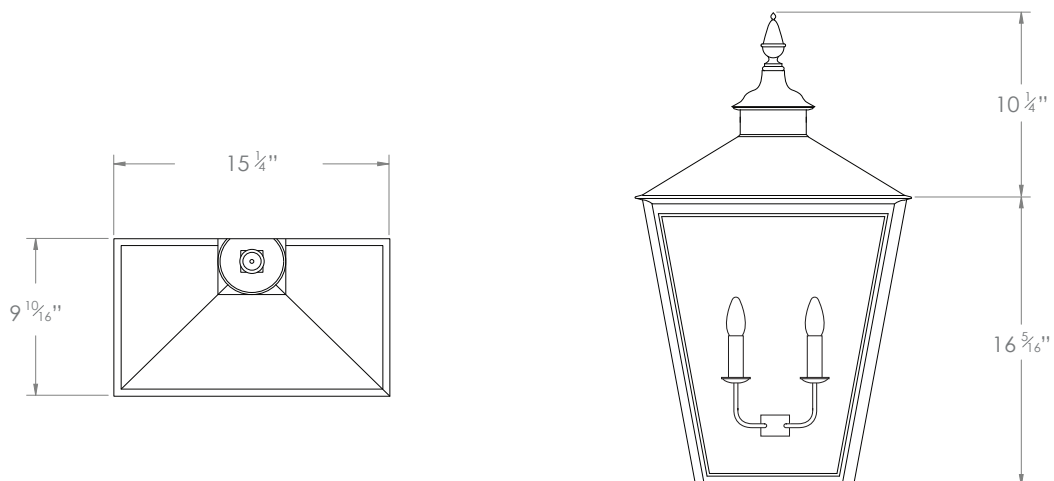
SIR JOHN SOANE WALL LANTERN WITH ROOF LARGE



PRODUCT CODE WL276

CATEGORY: WALL LANTERNS

DIMENSIONS






PRODUCT CODE WL276

CATEGORY: WALL LANTERNS

SIR JOHN SOANE WALL LANTERN WITH ROOF LARGE

LAMP TYPE	USA 2 x 60W (Max) E12 Candelabra
FINISH OPTIONS	Antique Brass, Bronze and Zinc (shown).
SIZE & SIMILAR OPTIONS	Sir John Soane Wall Lantern (WL275), Sir John Soane hanging Lantern (LA92) and Sir John Soane Hanging Lantern With Roof on Bracket (WL460).
ACCREDITATION	This product is UL certificated. 
WEIGHT	10lb 9oz
CLEANING AND MAINTENANCE INSTRUCTIONS	<p>Glass: Remove the glass where it is safe to do so. The glass then can be cleaned with a glass cleaner and a lint free cloth. Do not spray glass cleaner directly on the glass or fixture as it could affect the metal finish. Ensure the light is switched off and take care not to pull the flex or allow water to come into contact with the electrical components. Regular dusting with a feather duster will also help keep the glass clean.</p> <p>Metalwork: We recommend a light polish with a non-abrasive lint free cloth. Do not use any metal cleaning products on the fixture as it can remove the finish entirely. Unlacquered brass finish will patinate slowly over time and can be brightened to brass by the use of a brass cleaning agent.</p>