



HECTOR FINCH

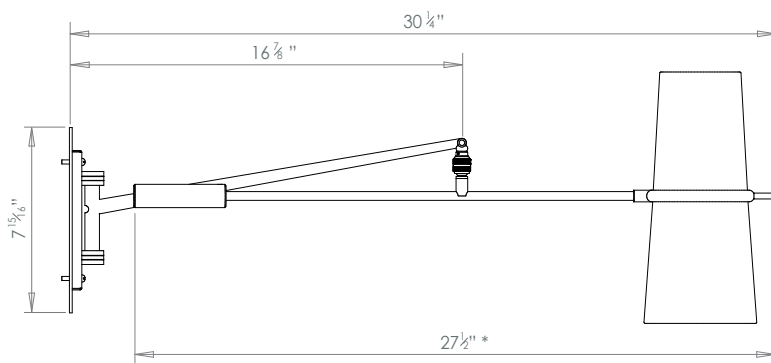
JACQUES SWING ARM WALL LIGHT SMALL



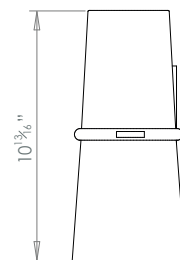
PRODUCT CODE WL28S

CATEGORY: WALL LIGHTS

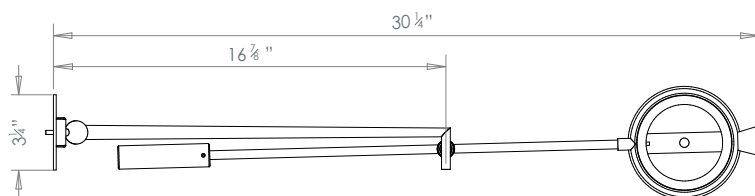
DIMENSIONS



* DUE TO COUNTERWEIGHT BEING ADJUSTABLE.
GIVEN LENGTH IS FOR GUIDANCE ONLY



10 ³/₁₆"





HECTOR FINCH

PRODUCT CODE WL28S

CATEGORY: WALL LIGHTS

JACQUES SWING ARM WALL LIGHT SMALL

LAMP TYPE

USA

2 x 40W (Max) E12 General Service

FINISH OPTIONS

Brass Polished Lacquered, Brass Polished Unlacquered, Antique Brass (shown), Bronze, Chrome, Nickel Polished and Nickel Matte.

ADDITIONAL INFORMATION

Shade included in price

CLEANING AND MAINTENANCE INSTRUCTIONS

Metalwork:

We recommend a light polish with a non-abrasive lint free cloth. Do not use any metal cleaning products on the fixture as it can remove the finish entirely. Unlacquered brass finish will patinate slowly over time and can be brightened to brass by the use of a brass cleaning agent.

Fabric Shades:

Wipe gently with a dry cloth or dust lightly with a feather duster. Repeat regularly to prevent the build up of dust. Regular cleaning will prevent the possibility of dust becoming ingrained. Do not let water or moisture come into contact with the shade.