



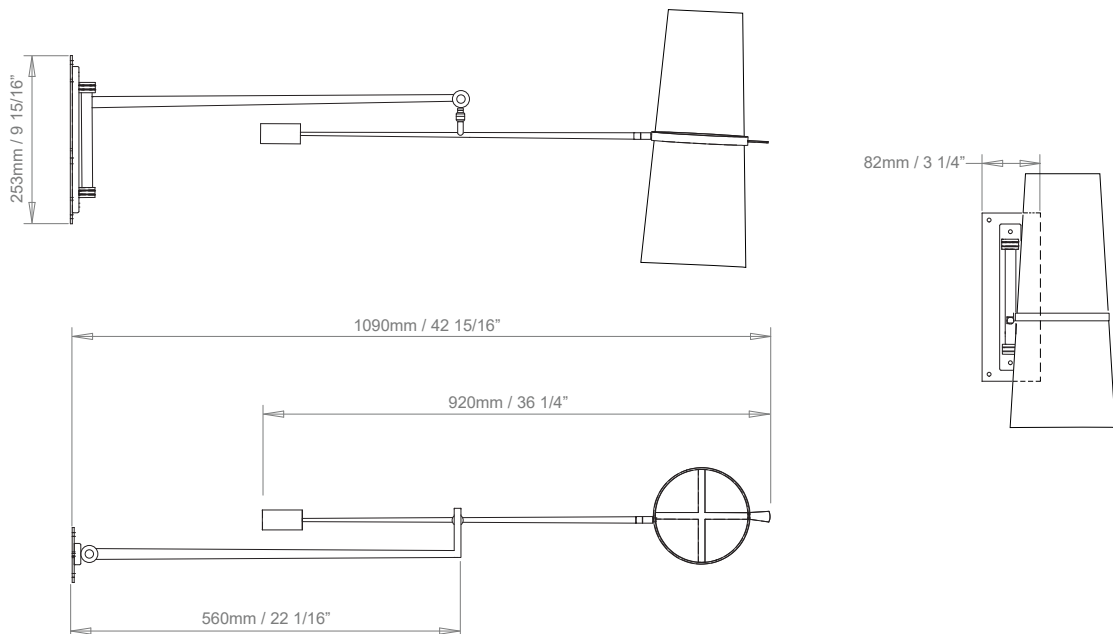
HECTOR FINCH

JACQUES SWING ARM WALL LIGHT



PRODUCT CODE WL28
CATEGORY: WALL LIGHTS

DIMENSIONS



JACQUES SWING ARM WALL LIGHT

LAMP TYPE INCANDESCENT	UK 2 x 40W (Max) E27 Candle	EU 2 x 40W (Max) E27 Candle	USA 2 x 40W (Max) E26 General Service
LAMP TYPE ENERGY SAVING	Suitable CFL or LED equivalent.		
APPLICATION	UK/EU Suitable for indoor use only.		
FINISH OPTIONS	Antique Brass (shown), Brass Polished & Lacquered, Brass Polished & Unlacquered, Bronze and Nickel Polished.		
SIZE & SIMILAR OPTIONS	Tom Swing Arm Wall Light (WL292)		
