



HECTOR FINCH

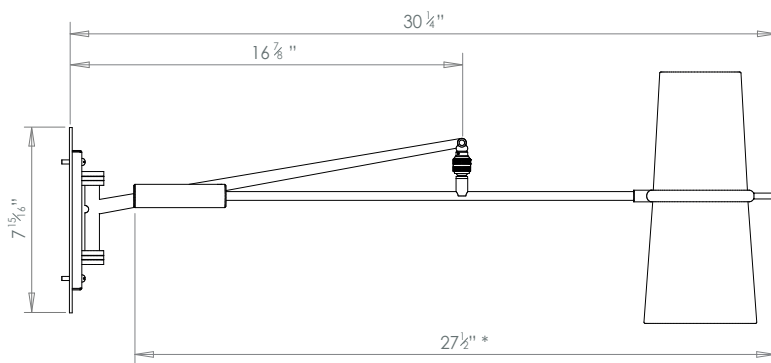
## JACQUES SWING ARM WALL LIGHT SMALL



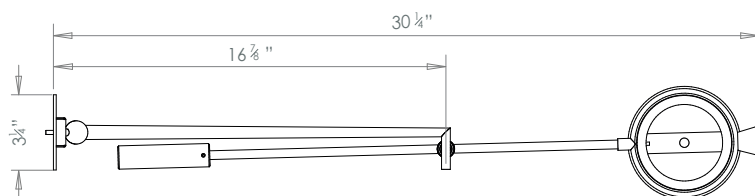
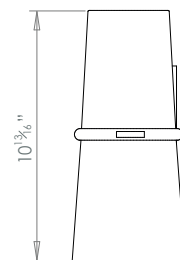
PRODUCT CODE WL28S

CATEGORY: WALL LIGHTS

### DIMENSIONS



\* DUE TO COUNTERWEIGHT BEING ADJUSTABLE,  
GIVEN LENGTH IS FOR GUIDANCE ONLY





PRODUCT CODE WL28S

CATEGORY: WALL LIGHTS

---

## JACQUES SWING ARM WALL LIGHT SMALL

---

**LAMP TYPE**

**USA**

2 x 40W (Max) E12 General Service

---

**FINISH OPTIONS**

Brass Polished Lacquered, Brass Polished Unlacquered, Antique Brass (shown), Bronze, Chrome, Nickel Polished and Nickel Matte.

---

**ADDITIONAL INFORMATION**

Supplied with shades in all Hector Finch fabrics or customer's own material as required.

---

**CLEANING AND MAINTENANCE INSTRUCTIONS**

Metalwork:

We recommend a light polish with a non-abrasive lint free cloth. Do not use any metal cleaning products on the fixture as it can remove the finish entirely. Unlacquered brass finish will patinate slowly over time and can be brightened to brass by the use of a brass cleaning agent.

Fabric Shades:

Wipe gently with a dry cloth or dust lightly with a feather duster. Repeat regularly to prevent the build up of dust. Regular cleaning will prevent the possibility of dust becoming ingrained. Do not let water or moisture come into contact with the shade.