



HECTOR FINCH

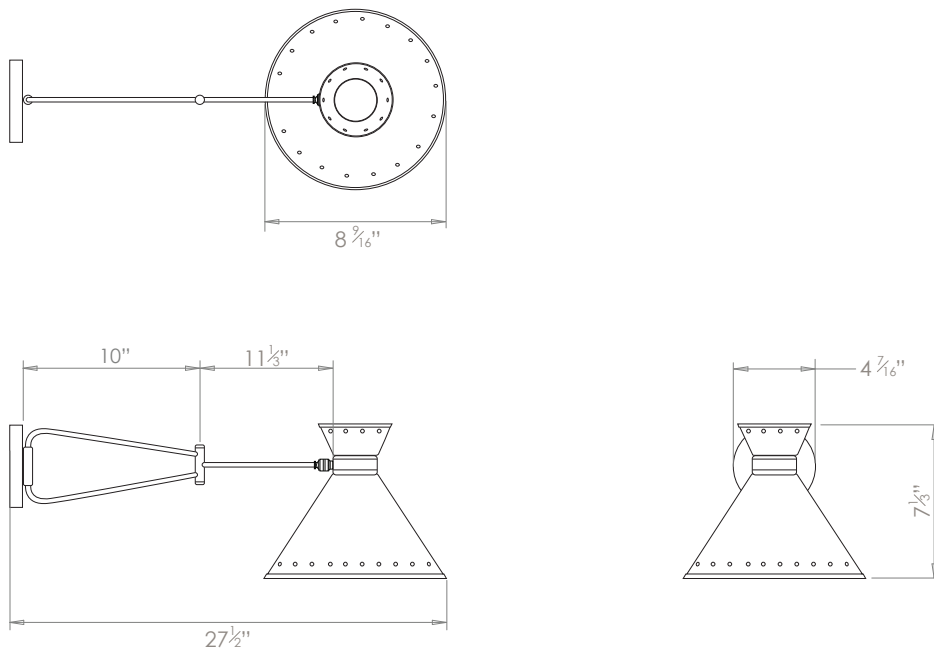
TOM SWING ARM WALL LIGHT WITH SWITCH



PRODUCT CODE WL299

CATEGORY: WALL LIGHTS

DIMENSIONS





HECTOR FINCH

PRODUCT CODE WL299

CATEGORY: WALL LIGHTS

TOM SWING ARM WALL LIGHT WITH SWITCH

LAMP TYPE	USA 1 x 60W (Max) E12 Golfball
FINISH OPTIONS	Brass Polished Lacquered, Brass Polished Unlacquered, Antique Brass (shown), Bronze, Chrome, Nickel Polished and Nickel Matte.
COLOUR OPTIONS	 Acqua Arancio Bianco Giallo Grigio Naturale Nero Rosso Taupe Verde Selenio
SIZE & SIMILAR OPTIONS	Max Wall Light (WL463), Tom Reading Light (WL402), Tom Chandelier (CH80) and Tom Wall Light (WL259).
WEIGHT	5lb 8oz
CLEANING AND MAINTENANCE INSTRUCTIONS	Metalwork: We recommend a light polish with a non-abrasive lint free cloth. Do not use any metal cleaning products on the fixture as it can remove the finish entirely. Unlacquered brass finish will patinate slowly over time and can be brightened to brass by the use of a brass cleaning agent.