



HECTOR FINCH

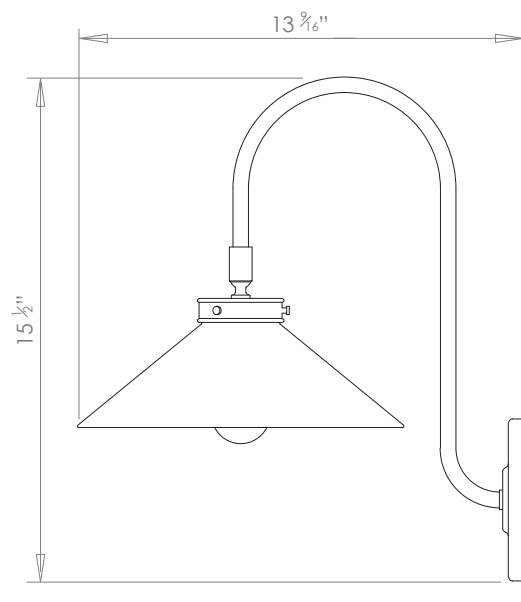
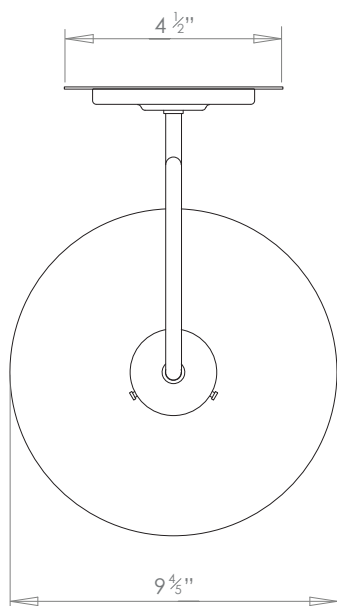
## LUCIA WALL LIGHT



PRODUCT CODE WL300

CATEGORY: WALL LIGHTS

### DIMENSIONS






PRODUCT CODE WL300

CATEGORY: WALL LIGHTS

## LUCIA WALL LIGHT

<b>LAMP TYPE</b>	<b>USA</b> 1 x 60W (Max) E26 Golfball
<b>FINISH OPTIONS</b>	Brass Polished Lacquered, Brass Polished Unlacquered, Antique Brass, Bronze (shown), Chrome, Nickel Polished and Nickel Matte.
<b>COLOUR OPTIONS</b>	 Acqua Arancio Bianco Grigio Naturale Naval Nero Rosso Taupe
<b>SIZE &amp; SIMILAR OPTIONS</b>	Lucia Pendant Small (PL300S), Lucia Pendant Medium (PL300M), Lucia Pendant Large (PL300L), Lucia L Bracket Wall Light (WL301), Lucia Rise and Fall Wall Light (WL449) and Lucia Rise and Fall Pendant (PL321).
<b>WEIGHT</b>	3lb 12oz
<b>CLEANING AND MAINTENANCE INSTRUCTIONS</b>	<p><b>Metalwork:</b> We recommend a light polish with a non-abrasive lint free cloth. Do not use any metal cleaning products on the fixture as it can remove the finish entirely. Unlacquered brass finish will patinate slowly over time and can be brightened to brass by the use of a brass cleaning agent.</p> <p><b>Ceramic:</b> The ceramic components can be cleaned with a light spray of water and a lint free cloth. Ensure the light is switched off and take care not to pull the flex or allow water to come into contact on the electrical components.</p>