



HECTOR FINCH

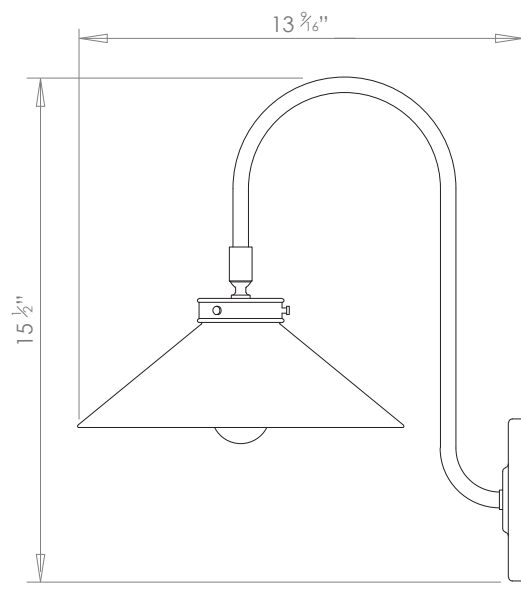
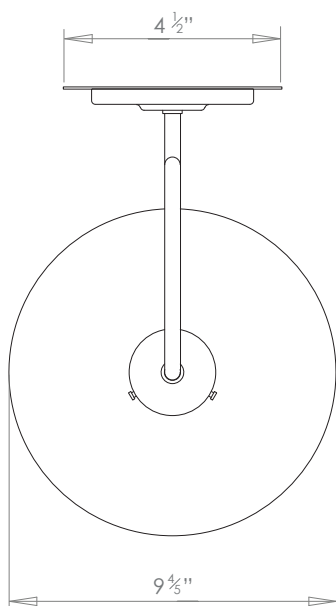
LUCIA WALL LIGHT



PRODUCT CODE WL300

CATEGORY: WALL LIGHTS

DIMENSIONS






PRODUCT CODE WL300

CATEGORY: WALL LIGHTS

LUCIA WALL LIGHT

LAMP TYPE	USA 1 x 60W (Max) E26 Golfball
FINISH OPTIONS	Brass Polished Lacquered, Brass Polished Unlacquered, Antique Brass, Bronze (shown), Chrome, Nickel Polished and Nickel Matte.
COLOUR OPTIONS	 Acqua Arancio Bianco Naval Grigio Naturale Nero Rosso Taupe
SIZE & SIMILAR OPTIONS	Lucia Pendant Small (PL300S), Lucia Pendant Medium (PL300M), Lucia Pendant Large (PL300L), Lucia L Bracket Wall Light (WL301), Lucia Rise and Fall Wall Light (WL449) and Lucia Rise and Fall Pendant (PL321).
WEIGHT	3lb 12oz
CLEANING AND MAINTENANCE INSTRUCTIONS	<p>Metalwork: We recommend a light polish with a non-abrasive lint free cloth. Do not use any metal cleaning products on the fixture as it can remove the finish entirely. Unlacquered brass finish will patinate slowly over time and can be brightened to brass by the use of a brass cleaning agent.</p> <p>Ceramic: The ceramic components can be cleaned with a light spray of water and a lint free cloth. Ensure the light is switched off and take care not to pull the flex or allow water to come into contact on the electrical components.</p>