



HECTOR FINCH

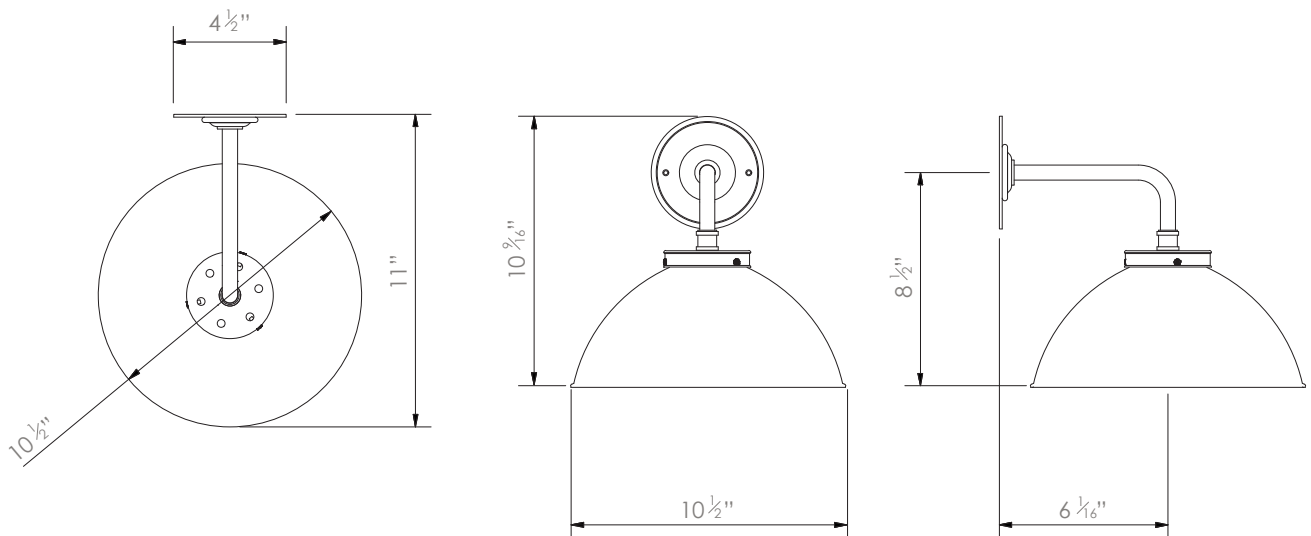
## TIBER ALABASTER WALL LIGHT



PRODUCT CODE WL37

CATEGORY: WALL LIGHTS

### DIMENSIONS





PRODUCT CODE WL37

CATEGORY: WALL LIGHTS

---

## TIBER ALABASTER WALL LIGHT

<b>LAMP TYPE</b>	<b>USA</b> 1 x 60W (Max) E26 Golfball
<b>FINISH OPTIONS</b>	Brass Polished Lacquered, Brass Polished Unlacquered, Antique Brass, Bronze (shown), Chrome, Nickel Polished and Nickel Matte.
<b>SIZE &amp; SIMILAR OPTIONS</b>	Alabaster Triple Pendant on Rod (PL444), Betty Alabaster Pendant (PL20) and Alabaster Bowl (PL74).
<b>WEIGHT</b>	6lb 10oz
<b>ACCREDITATION</b>	This product is UL certificated. 
<b>CLEANING AND MAINTENANCE INSTRUCTIONS</b>	<p><b>Metalwork:</b> We recommend a light polish with a non-abrasive lint free cloth. Do not use any metal cleaning products on the fixture as it can remove the finish entirely. Unlacquered brass finish will patinate slowly over time and can be brightened to brass by the use of a brass cleaning agent.</p> <p><b>Alabaster:</b> Alabaster is a very fragile material and it must be treated with great care. Clean with a barely damp cloth, never a wet cloth or do not use any form of liquid on this natural material as this could cause marks or staining.</p>