



HECTOR FINCH

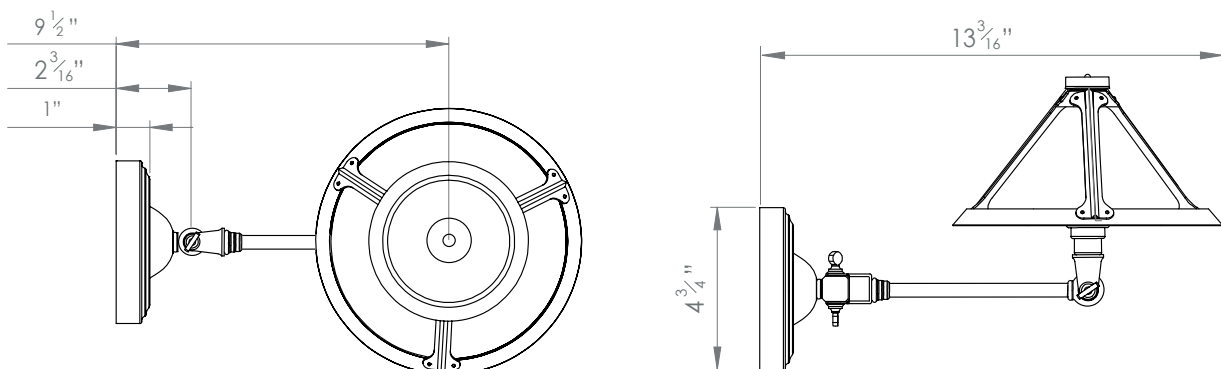
GABRIEL SINGLE ARM WALL LIGHT MODEL II



PRODUCT CODE WL38

CATEGORY: WALL LIGHTS

DIMENSIONS






PRODUCT CODE WL38

CATEGORY: WALL LIGHTS

GABRIEL SINGLE ARM WALL LIGHT MODEL II

LAMP TYPE	USA 1 x 40W (Max) E12 Golfball
FINISH OPTIONS	Antique Brass (AB) and Antique Brass & Antique Copper (AB&AC).
SHADE COLOUR OPTIONS	 AB Porcelain AB Thyme AB&AC Porcelain AB&AC Thyme
SIZE & SIMILAR OPTIONS	Venetia Double Arm Wall Light (WL19), Gabriel Single Arm Light Model I (WL27), Venetia Desk Lamp (TL2), May Desk Lamp (TL4) and May Desk Lamp with Trough Shade (TL5).
CLEANING AND MAINTENANCE INSTRUCTIONS	<p>Metalwork: We recommend a light polish with a non-abrasive lint free cloth. Do not use any metal cleaning products on the fixture as it can remove the finish entirely. Unlacquered brass finish will patinate slowly over time and can be brightened to brass by the use of a brass cleaning agent.</p> <p>Fabric Shades: Wipe gently with a dry cloth or dust lightly with a feather duster. Repeat regularly to prevent the build up of dust. Regular cleaning will prevent the possibility of dust becoming ingrained. Do not let water or moisture come into contact with the shade.</p>