

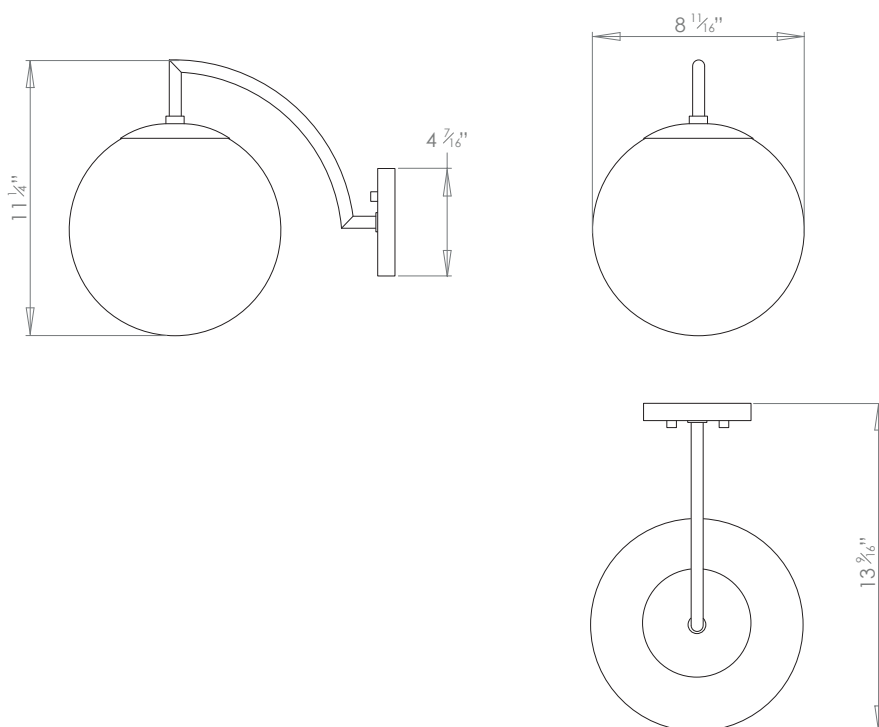
PAOLA WALL LIGHT LARGE



PRODUCT CODE WL401L

CATEGORY: WALL LIGHTS

DIMENSIONS






PRODUCT CODE WL401L

CATEGORY: WALL LIGHTS

PAOLA WALL LIGHT LARGE

| | |
|----------------------------------------------|-------------------------------------------------------------------------------------------------------------------------------------------------------------------------------------------------------------------------------------------------------------------------------------------------------------------------------------------------------------------------------------------------------------------------------------------------------------------------------------------------------------------------------------------------------------------------------------------------------------------------------------------------------------------------------------------------------------------------------------------------------------------------------------------|
| LAMP TYPE | USA 1 x 60W (Max) E26 Golfball |
| FINISH OPTIONS | Brass Polished Lacquered (shown), Brass Polished Unlacquered, Antique Brass, Bronze, Chrome, Nickel Polished and Nickel Matte. |
| COLOUR OPTIONS |  Grigio Viola Clear Blu Avio Marrone Turchese |
| SIZE & SIMILAR OPTIONS | Paola Palantir 3 Light Cluster (PL427), Paola Wall Light Small (WL401), Paola Pendant Small (PL350S), Paola Pendant Large (PL350L) and Paola Palantir 5 Light Cluster Viola (PL439). |
| WEIGHT | 8lb 13oz |
| CLEANING AND MAINTENANCE INSTRUCTIONS | <p>Metalwork: We recommend a light polish with a non-abrasive lint free cloth. Do not use any metal cleaning products on the fixture as it can remove the finish entirely. Unlacquered brass finish will patinate slowly over time and can be brightened to brass by the use of a brass cleaning agent.</p> <p>Glass: Remove the glass where it is safe to do so. The glass then can be cleaned with a glass cleaner and a lint free cloth. Do not spray glass cleaner directly on the glass or fixture as it could affect the metal finish. Ensure the light is switched off and take care not to pull the flex or allow water to come into contact with the electrical components. Regular dusting with a feather duster will also help keep the glass clean.</p> |