

HF

HECTOR FINCH

LIGHTING

TIBER FLUSH WALL MOUNTED, SMALL

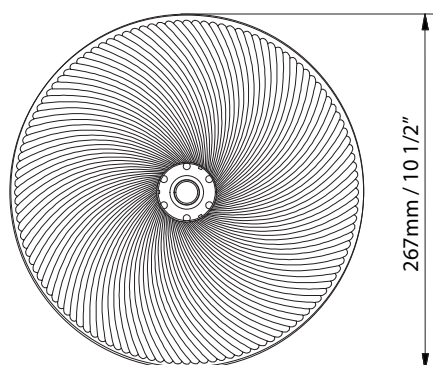
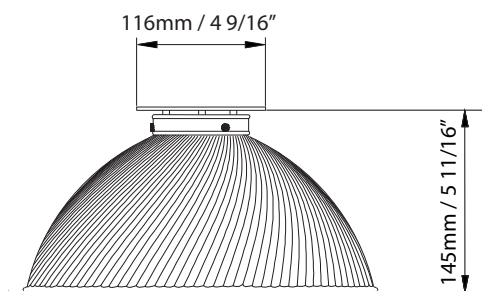
The Tiber is used as a pendant, ceiling and wall light in kitchens and utility spaces. The swirled glass, mirrored shade echoes mid 20thC industrial lighting and reflects a warm glow over tables and islands.



PRODUCT CODE WL423S

CATEGORY: WALL LIGHTS

DIMENSIONS



TIBER FLUSH WALL MOUNTED, SMALL

**LAMP TYPE
INCANDESCENT****UK**

1 x 60W (Max) E27 Golfball

EU

1 x 60W (Max) E27 Golfball

USA

1 x 60W (Max) E26 Golfball

**LAMP TYPE ENERGY
SAVING**

Suitable CFL or LED equivalent.

FINISH OPTIONS

Antique Brass, Polished Unlacquered Brass (shown), Polished Lacquered Brass, Bronze and Nickel Polished.

SIZE & SIMILAR OPTIONS

CL25L Tiber Flush Ceiling Mounted, Large, PL134 Tiber Pendant Small, Tiber Pendant Large PL134L, Tiber Flush Mount WL423 and WL72 Tiber Wall Light.