



HECTOR FINCH

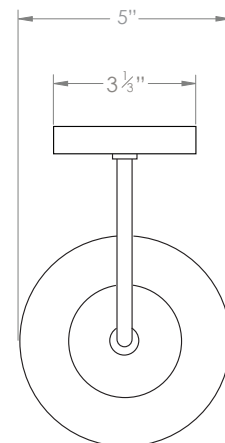
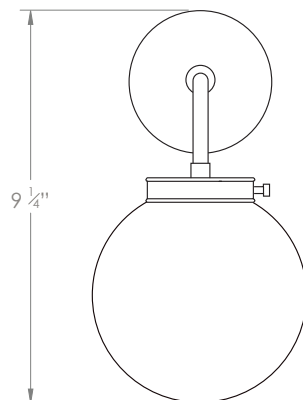
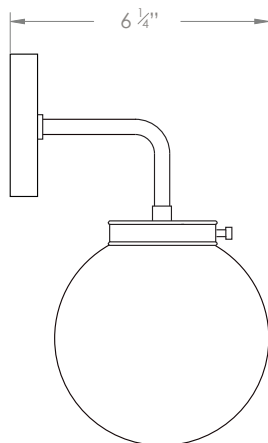
## HECTOR MINI GLOBE WALL LIGHT CLEAR GLASS



PRODUCT CODE WL424

CATEGORY: WALL LIGHTS

### DIMENSIONS





PRODUCT CODE WL424

CATEGORY: WALL LIGHTS

---

## HECTOR MINI GLOBE WALL LIGHT CLEAR GLASS

<b>LAMP TYPE</b>	<b>USA</b> 1 x Osh Lamp with 33W (Max) G9 halogen
<b>FINISH OPTIONS</b>	Brass Polished Lacquered (shown), Brass Polished Unlacquered, Antique Brass, Bronze, Chrome, Nickel Polished and Nickel Matte.
<b>SIZE &amp; SIMILAR OPTIONS</b>	Hector Mini Globe Wall Light Seeded Glass (WL426), Hector Mini Globe Wall Light Opal Glass (WL425), Hector Mini Globe Pendant Clear Glass (PL142) and Hector Mini Globe Pendant Opal Glass (PL143).
<b>WEIGHT</b>	1lb 5oz
<b>CLEANING AND MAINTENANCE INSTRUCTIONS</b>	<p><b>Metalwork:</b> We recommend a light polish with a non-abrasive lint free cloth. Do not use any metal cleaning products on the fixture as it can remove the finish entirely. Unlacquered brass finish will patinate slowly over time and can be brightened to brass by the use of a brass cleaning agent.</p> <p><b>Glass:</b> Remove the glass where it is safe to do so. The glass then can be cleaned with a glass cleaner and a lint free cloth. Do not spray glass cleaner directly on the glass or fixture as it could affect the metal finish. Ensure the light is switched off and take care not to pull the flex or allow water to come into contact with the electrical components. Regular dusting with a feather duster will also help keep the glass clean.</p>